

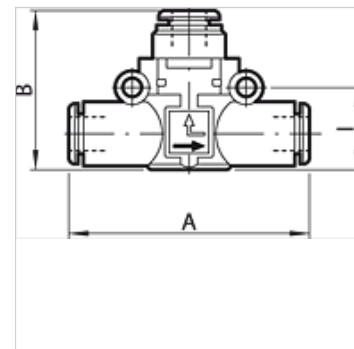
K-SNV ENTLUE V SCHL SCHL

Quick-exhaust valves, conveyed exhaust, pipe - pipe

HANSA FLEX

Savybės

Darbinis slėgis	1 - 10 bar
Srautas 6,3 bar	50 NI/min (Ø 4), 270 NI/min (Ø 6), 400 NI/min (Ø 8)
Srt. 6,3 bar oro išleidimas	100 NI/min (Ø 4), 700 NI/min (Ø 6), 1000 NI/min (Ø 8)
Temperatūros diapazonas	-20 °C to +60 °C
Korpusas	Technopolymer
Vidinės dalys	nickel-plated brass, brass, technopolymer, stainless steel
Sandarinio medžiaga	NBR
Montavimas	Wall mounting (housing with drilled holes) Bracket mounting (mounting bracket available) Panel mounting (with bracket or lock nut)
Simbolis	on the housing



Nuoroda

Daugiau duomenų pagal užklausimą.

Aprašas

A carefully selected assortment of products for installation in pneumatic circuits. These small, highly efficient components allow all pneumatic functions to be implemented anywhere in the circuit. The series has an ultramodular design. All components can be installed in parallel, in series, in a mixed parallel / serial configuration. Available as Pipe / pipe connection with two plug connectors Thread / pipe connection, with one plug connector and one nickel-plated brass thread.

Prekė

Pavadinimas	žarnos Ø (mm)	A (mm)	B (mm)	l (mm)
K- 07 15 25 27	4	41,8	25,8	12,8
K- 07 15 20 30	6	49,0	30,2	14,6
K- 07 15 20 31	8	57,2	35,9	18,7