

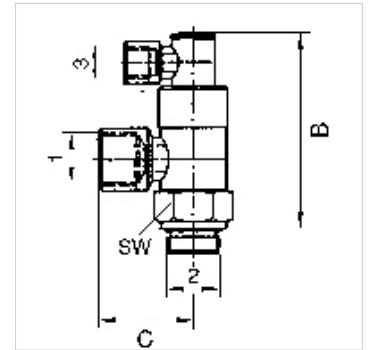
K-STOPPVENTILE IG

Stop valves, ports 2 and 3 with female thread

HANSA FLEX

Savybės

Darbinis slėgis	Max. 10 bar
Valdymo slėgis	1 - 5 bar, depending on operating pressure
Medžiagos temperatūra	max. 70 °C
Sumontavimo padėtis	Any. Ring pieces can still be rotated 360° after the valve has been tightened
Medžiaga	Žalvaris, nikeluotas
Sandarinio medžiaga	Perbunan



Nuoroda

Daugiau duomenų pagal užklausimą.

Aprašas

For high-speed positioning and stop functions as well as emergency switching (e.g. emergency stop). If a control signal is present at port 3, air can flow to and from the cylinder. If no control signal is present, the air flow to and from the cylinder is shut off, causing the cylinder to stop in the required position. Stop valves are screwed directly onto the cylinder instead of the normal pipe connections.

Prekė

Pavadinimas	Port 1	Port 2	3 jungtis	B (mm)	C (mm)
K- 07 15 20 46	G 1/8	G 1/8	G 1/8	52,0	21,0
K- 07 15 20 45	G 1/4	G 1/4	G 1/8	58,0	25,0
K- 07 15 20 47	G 3/8	G 3/8	G 1/8	63,0	31,0
K- 07 15 20 44	G 1/2	G 1/2	G 1/8	72,0	40,0