

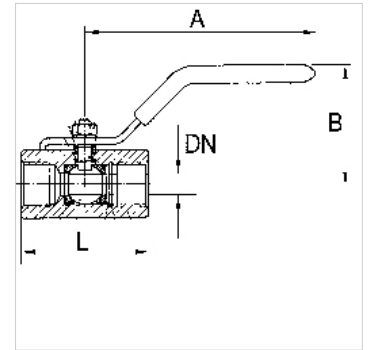
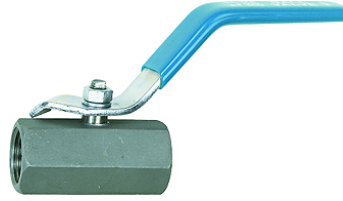
K-BKR KL SERIE 374

Ball valves, 374 series

HANSA FLEX

Savybės

Darbinis slėgis	max. 70 bar (Depending on Temperature)
Darbinė temperatūra	Max. 150 °C
Tarpiklis	PTFE
Rankinė svirtis	Stainless steel 1.4301



Nuoroda

G thread acc. to DIN EN ISO 228-1, with ISO flange plate (acc. to ISO 5211)

Daugiau duomenų pagal užklausimą.

užsakymo nuorodos

For use on devices that have to be vented whenever they are turned off, either because of safety regulations or for technical reasons. The pneumatic devices are disconnected from the system and simultaneously vented each time they are shut off.

Papildoma informacija

G thread acc. DIN EN ISO 228-1

Prekė

Pavadinimas	DN	Sriegis	A (mm)	B (mm)	L (mm)	Medžiaga
K- 07 30 15 32	5	G 1/4	62,0	30,0	47,0	Stainless steel 1.4401/1.4408
K- 07 30 15 33	7	G 3/8	82,0	30,0	51,0	Stainless steel 1.4401/1.4408
K- 07 30 15 34	9	G 1/2	92,0	45,0	64,0	Stainless steel 1.4401/1.4408
K- 07 30 15 35	13	G 3/4	94,0	50,0	68,0	Stainless steel 1.4401/1.4408