

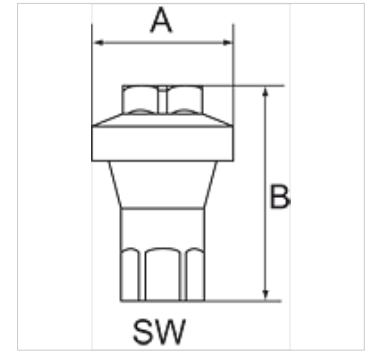
K-INLINE-DRG IG WASSER O SEKUNDAER

Inline pressure regulators, for water applications

HANSA FLEX

Savybės

Darbinis slėgis	maks. 10 bar
Temperatūros diapazonas	0 °C to +60 °C
Srautas	4000 ml/min with 0.8 bar pressure loss
Korpusas	Nickel-plated brass
Likusios dalys	CR, stainless steel



Nuoroda

Daugiau duomenų pagal užklausimą.

Aprašas

This water regulator is designed as a single-acting diaphragm regulator for installation in any water pipe system. It supplies a precise output value regardless of the input pressure. Since the pressure is preset in the factory and cannot be altered, the product is also tamper-proof. The regulator protects all downstream devices and components in the water pipe by maintaining a required constant pressure and preventing system pressure fluctuations. In combination with a nozzle, it is ideally suited for cooling or cleaning with water spray or mist.

Prekė

Pavadinimas	Sriegis	Darbinis slėgis nustatytas iš anksto	A (mm)	B	SW (mm)
K- 07 25 03 06	G 1/4	1 bar	34,0	51,0 mm	17
K- 07 25 03 07	G 1/4	2 bar	34,0	51,0 mm	17
K- 07 25 03 08	G 1/4	3 bar	34,0	51,0 mm	17
K- 07 25 03 09	G 1/4	4 bar	34,0	51,0 mm	17