

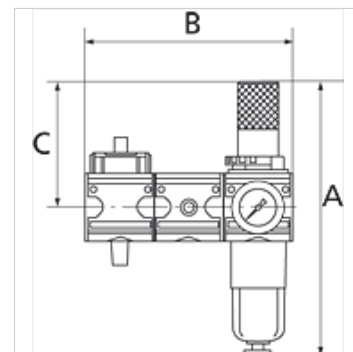
K-WTST SAFETY BKR SCHA AN FILR MULT

SAFETY service unit sets, comprising a ball valve with silencer, start-up valve and filter regulator with lock cylinder

HANSA FLEX

Savybės

Iėjimo slėgis	2 - 16 bar
Išėjimo slėgis	0.5 - 10 bar
Temperatūros diapazonas	Max. 60 °C
Medžiagos	suslėgtas oras
Sandarinimo medžiaga	NBR
Rezervuaras	Polycarbonate (with bayonet lock) and bowl guard
Spyruoklės gaubtas	POM
Filtravimo elementas	Cellpor (PE) 5 µm
Korpusas	Die-cast zinc
Membrana	NBR
Drain valve	Semi-automatic
Srauto reikšmės matavimas	At P1 = 8 bar, P2 = 6 bar and pressure drop $\Delta p = 1$ bar
Daugiau duomenų	see data sheets of the individual components (on request)
Oro išl. Jungt. Rutulinis vožtuvas	Silencer



Aprašas

These compressed air service unit sets, comprising a ball valve with silencer, a start-up valve and one out of a pressure regulator, filter regulator or service unit, meet even the strictest requirements for operating reliability and accident prevention!

užsakymo nuorodos

The price does not include a padlock. Please order separately. For accessories and spare parts, refer to individual components: ball valve, start-up valve, pressure regulator, filter regulator, 2-piece service unit.

Prekė

Pavadinimas	Sriegis	Srautas (L/min)	A (mm)	B	C (mm)	Kondensato išleidimas
K- 07 25 15 14	G 1/4	1000	219,1	137,8 mm	94,0	Semi-automatic
K- 07 25 15 15	G 1/2	4000	269,3	200,8 mm	122,0	Semi-automatic
K- 07 25 15 16	G 1	12000	410,8	282,8 mm	157,0	Semi-automatic