

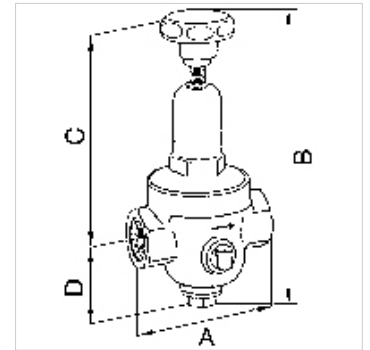
K-DRG DRV 200 STANDARD

DRV 200 pressure regulators, standard type

HANSA FLEX

Savybės

Įėjimo slėgis	Max. 25 bar (Series 200 and 300 Series), Max. 40 bar (400 Series)
Temperatūros diapazonas	Max. 75 °C
Redukcijos santykis	Max. 10:1 (200 Series), Max. 20:1 (300 Series), Max. 6:1 (400 Series)
Sandarinio medžiaga	NBR
Spyruoklės gaubtas	Pressed brass up to DN 25, Grey cast iron from DN 32
Korpusas	Red brass 2.1096.01



Nuoroda

Daugiau duomenų pagal užklausimą.

Aprašas

Diaphragm pressure regulators with non-self-relieving design and non-pressure-reduced single-seated valve. Very precise adjustment. Good response characteristic because of only a few moving parts which hence minimal friction. Ideal for compressed air, nitrogen and other neutral, non-flammable gases, but only suitable for liquids with comparatively low flow rates.

užsakymo nuorodos

Kiti modeliai pagal užklausą

Papildoma informacija

Kiti modeliai pagal užklausą

Prekė

Pavadinimas	Sriegis	Reguliuojimo diapazonas	Srauto kvs reikšmė (m ³ /h)	A (mm)	B	C (mm)	D (mm)
K- 07 25 04 86	G 1/4	1.5 - 8 bar	0,5	70,0	167,0 mm	120,0	47,0
K- 07 25 04 87	G 3/8	1.5 - 8 bar	0,6	70,0	168,0 mm	121,0	47,0
K- 07 25 04 88	G 1/2	1.5 - 8 bar	1,2	85,0	188,5 mm	142,0	46,5
K- 07 25 04 89	G 3/4	1.5 - 8 bar	1,3	85,0	189,5 mm	143,0	46,5
K- 07 25 04 90	G 1	1.5 - 8 bar	1,6	95,0	242,0 mm	186,0	56,0
K- 07 25 04 91	G 1 1/4	1.5 - 8 bar	4,2	104,0	323,0 mm	262,0	61,0
K- 07 25 04 92	G 1 1/2	1.5 - 8 bar	4,5	108,0	323,0 mm	262,0	61,0
K- 07 25 04 93	G 2	1.5 - 8 bar	7,2	146,5	376,0 mm	306,0	70,0

Atsarginės dalys

K-VERSCHLEI-SATZ Set of wearing parts