

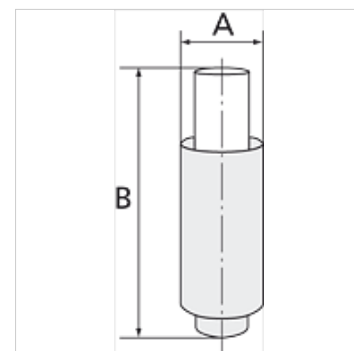
K-SCHALLDAE FRUEHWARNFUKT

Silencers with early warning function

HANSA FLEX

Savybės

Darbinis slėgis	5 bar
Darbinė temperatūra	Max. 70 °C
Norma	G thread acc. to DIN EN ISO 228-1
Medžiaga	PP



Nuoroda

Daugiau duomenų pagal užklausimą.

Aprašas

The silencer's warning indicator gives an early warning if the back pressure in the system is too high. Maintenance personnel can both see and hear (from the elevated sound level) that it is time to replace the silencer before costly and unnecessary disruptions impair operation. The design is based on a two-chamber system with inner and outer silencing chambers. The inner diffuser serves as a warning indicator that is pressed out when back pressure is too high. The silencer should be replaced as soon as the inner diffuser extends far enough to show the red marking on the warning indicator.

Prekė

Pavadinimas	Sriegis	A (mm)	B (mm)	Srautas (L/min)	Triukšmo lygis (dBA)	Triukšmo mažinimas
K- 07 40 15 22	G 1/8 male	15,7	35,5	450	65,5	32 dB(A)
K- 07 40 15 23	G 1/4 male	19,6	42,6	883	66,5	33 dB(A)
K- 07 40 15 24	G 3/8 male	26,8	57,0	1480	73,2	30 dB(A)
K- 07 40 15 25	G 1/2 male	32,4	73,5	1910	76,5	33 dB(A)