

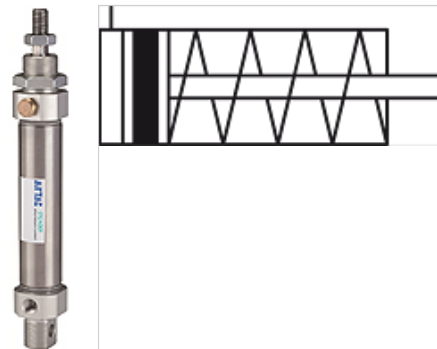
# K-RUNDZYLINDER EINF DL O D MSI

Round cylinders, single-acting (pressureless in the retracted position), with magnet, non-cushioned, »MSI« Series

**HANSA FLEX**

## Savybės

|                         |  |
|-------------------------|--|
| Medžiagos               | Filtered, unlubricated or lubricated compressed air. If lubrication is used, it must be continuous.                            |
| Darbinis slėgis         | 1 - 10 bar (double-acting); 2 - 10 bar (single-acting)   |
| Temperatūros diapazonas | -20 °C to +70 °C   |
| Stūmoklio kotas         | Stainless steel 1.4301   |
| Konstrukcija            | Type "CA" = ground cover with threaded pin - swivel design<br>Type "CM" = ground cover with threaded pin round - swivel design |
| Stūmoklis               | Stainless steel 1.4305 (8 to 12 mm); Alu (16 to 40 mm)   |
| Sandarinio medžiaga     | NBR  |
| Cilindrinis vamzdis     | Stainless steel 1.4301   |



## Nuoroda

Daugiau duomenų pagal užklausimą.

## Aprašas

Series "MSI" single-acting, pressureless retraction, Ø 8 - 40

## Prekė

| Pavadinimas    | Stūmoklio Ø | Eiga (mm) | Konstrukcija | Stūmoklio koto Ø (mm) | Stūmoklio koto išoriniai sriegiai |
|----------------|-------------|-----------|--------------|-----------------------|-----------------------------------|
| K- 07 15 19 46 | 8 mm        | 10        | »CA« type    | 4                     | M 4 x 0.7                         |
| K- 07 15 19 47 | 8 mm        | 15        | »CA« type    | 4                     | M 4 x 0.7                         |
| K- 07 15 19 48 | 8 mm        | 20        | »CA« type    | 4                     | M 4 x 0.7                         |
| K- 07 15 19 49 | 8 mm        | 25        | »CA« type    | 4                     | M 4 x 0.7                         |
| K- 07 15 19 50 | 8 mm        | 30        | »CA« type    | 4                     | M 4 x 0.7                         |
| K- 07 15 19 51 | 8 mm        | 40        | »CA« type    | 4                     | M 4 x 0.7                         |
| K- 07 15 19 52 | 8 mm        | 50        | »CA« type    | 4                     | M 4 x 0.7                         |
| K- 07 15 19 53 | 10 mm       | 10        | »CA« type    | 4                     | M 4 x 0.7                         |
| K- 07 15 19 54 | 10 mm       | 15        | »CA« type    | 4                     | M 4 x 0.7                         |
| K- 07 15 19 55 | 10 mm       | 20        | »CA« type    | 4                     | M 4 x 0.7                         |
| K- 07 15 19 56 | 10 mm       | 25        | »CA« type    | 4                     | M 4 x 0.7                         |
| K- 07 15 19 57 | 10 mm       | 30        | »CA« type    | 4                     | M 4 x 0.7                         |
| K- 07 15 19 58 | 10 mm       | 40        | »CA« type    | 4                     | M 4 x 0.7                         |
| K- 07 15 19 59 | 10 mm       | 50        | »CA« type    | 4                     | M 4 x 0.7                         |
| K- 07 15 19 60 | 12 mm       | 10        | »CA« type    | 6                     | M 6 x 1                           |
| K- 07 15 19 61 | 12 mm       | 15        | »CA« type    | 6                     | M 6 x 1                           |
| K- 07 15 19 62 | 12 mm       | 20        | »CA« type    | 6                     | M 6 x 1                           |
| K- 07 15 19 63 | 12 mm       | 25        | »CA« type    | 6                     | M 6 x 1                           |
| K- 07 15 19 64 | 12 mm       | 30        | »CA« type    | 6                     | M 6 x 1                           |
| K- 07 15 19 65 | 12 mm       | 40        | »CA« type    | 6                     | M 6 x 1                           |
| K- 07 15 19 66 | 12 mm       | 50        | »CA« type    | 6                     | M 6 x 1                           |
| K- 07 15 19 67 | 16 mm       | 10        | »CA« type    | 6                     | M 6 x 1                           |
| K- 07 15 19 68 | 16 mm       | 15        | »CA« type    | 6                     | M 6 x 1                           |
| K- 07 15 19 69 | 16 mm       | 20        | »CA« type    | 6                     | M 6 x 1                           |
| K- 07 15 19 70 | 16 mm       | 25        | »CA« type    | 6                     | M 6 x 1                           |
| K- 07 15 19 71 | 16 mm       | 30        | »CA« type    | 6                     | M 6 x 1                           |
| K- 07 15 19 72 | 16 mm       | 40        | »CA« type    | 6                     | M 6 x 1                           |
| K- 07 15 19 73 | 16 mm       | 50        | »CA« type    | 6                     | M 6 x 1                           |
| K- 07 15 19 74 | 16 mm       | 60        | »CA« type    | 6                     | M 6 x 1                           |
| K- 07 15 19 75 | 16 mm       | 75        | »CA« type    | 6                     | M 6 x 1                           |
| K- 07 15 19 76 | 16 mm       | 80        | »CA« type    | 6                     | M 6 x 1                           |
| K- 07 15 19 77 | 16 mm       | 100       | »CA« type    | 6                     | M 6 x 1                           |
| K- 07 15 19 78 | 20 mm       | 10        | »CA« type    | 8                     | M 8 x 1.25                        |
| K- 07 15 19 79 | 20 mm       | 15        | »CA« type    | 8                     | M 8 x 1.25                        |
| K- 07 15 19 80 | 20 mm       | 20        | »CA« type    | 8                     | M 8 x 1.25                        |
| K- 07 15 19 81 | 20 mm       | 25        | »CA« type    | 8                     | M 8 x 1.25                        |
| K- 07 15 19 82 | 20 mm       | 30        | »CA« type    | 8                     | M 8 x 1.25                        |



Nepaisant kruopštaus patikrinimo, negalime atmesti klaidų tikimybės, todėl už esamus duomenis neatsakome.

10.04.2026

HANSA-FLEX AG

www.hansa-flex.com

1

# K-RUNDZYLINDER EINF DL O D MSI

Round cylinders, single-acting (pressureless in the retracted position), with magnet, non-cushioned, »MSI« Series

**HANSA FLEX**

## Prekė

| Pavadinimas    | Stūmoklio Ø | Eiga (mm) | Konstrukcija | Stūmoklio koto Ø (mm) | Stūmoklio koto išoriniai sriegiai |
|----------------|-------------|-----------|--------------|-----------------------|-----------------------------------|
| K- 07 15 19 83 | 20 mm       | 40        | »CA« type    | 8                     | M 8 x 1.25                        |
| K- 07 15 19 84 | 20 mm       | 50        | »CA« type    | 8                     | M 8 x 1.25                        |
| K- 07 15 19 85 | 20 mm       | 60        | »CA« type    | 8                     | M 8 x 1.25                        |
| K- 07 15 19 86 | 20 mm       | 75        | »CA« type    | 8                     | M 8 x 1.25                        |
| K- 07 15 19 87 | 20 mm       | 80        | »CA« type    | 8                     | M 8 x 1.25                        |
| K- 07 15 19 88 | 20 mm       | 100       | »CA« type    | 8                     | M 8 x 1.25                        |
| K- 07 15 19 89 | 20 mm       | 125       | »CA« type    | 8                     | M 8 x 1.25                        |
| K- 07 15 19 90 | 20 mm       | 150       | »CA« type    | 8                     | M 8 x 1.25                        |
| K- 07 15 19 91 | 25 mm       | 10        | »CA« type    | 10                    | M 10 x 1.25                       |
| K- 07 15 19 92 | 25 mm       | 15        | »CA« type    | 10                    | M 10 x 1.25                       |
| K- 07 15 19 93 | 25 mm       | 20        | »CA« type    | 10                    | M 10 x 1.25                       |
| K- 07 15 19 94 | 25 mm       | 25        | »CA« type    | 10                    | M 10 x 1.25                       |
| K- 07 15 19 95 | 25 mm       | 30        | »CA« type    | 10                    | M 10 x 1.25                       |
| K- 07 15 19 96 | 25 mm       | 40        | »CA« type    | 10                    | M 10 x 1.25                       |
| K- 07 15 19 97 | 25 mm       | 50        | »CA« type    | 10                    | M 10 x 1.25                       |
| K- 07 15 19 98 | 25 mm       | 60        | »CA« type    | 10                    | M 10 x 1.25                       |
| K- 07 15 19 99 | 25 mm       | 75        | »CA« type    | 10                    | M 10 x 1.25                       |
| K- 07 15 20 00 | 25 mm       | 80        | »CA« type    | 10                    | M 10 x 1.25                       |
| K- 07 15 20 01 | 25 mm       | 100       | »CA« type    | 10                    | M 10 x 1.25                       |
| K- 07 15 20 02 | 25 mm       | 125       | »CA« type    | 10                    | M 10 x 1.25                       |
| K- 07 15 20 03 | 25 mm       | 150       | »CA« type    | 10                    | M 10 x 1.25                       |
| K- 07 15 20 04 | 32 mm       | 10        | »CM« type    | 12                    | M 10 x 1.25                       |
| K- 07 15 20 05 | 32 mm       | 15        | »CM« type    | 12                    | M 10 x 1.25                       |
| K- 07 15 20 06 | 32 mm       | 20        | »CM« type    | 12                    | M 10 x 1.25                       |
| K- 07 15 20 07 | 32 mm       | 25        | »CM« type    | 12                    | M 10 x 1.25                       |
| K- 07 15 20 08 | 32 mm       | 30        | »CM« type    | 12                    | M 10 x 1.25                       |
| K- 07 15 20 09 | 32 mm       | 40        | »CM« type    | 12                    | M 10 x 1.25                       |
| K- 07 15 20 10 | 32 mm       | 50        | »CM« type    | 12                    | M 10 x 1.25                       |
| K- 07 15 20 11 | 32 mm       | 60        | »CM« type    | 12                    | M 10 x 1.25                       |
| K- 07 15 20 12 | 32 mm       | 75        | »CM« type    | 12                    | M 10 x 1.25                       |
| K- 07 15 20 13 | 32 mm       | 80        | »CM« type    | 12                    | M 10 x 1.25                       |
| K- 07 15 20 14 | 32 mm       | 100       | »CM« type    | 12                    | M 10 x 1.25                       |
| K- 07 15 20 15 | 32 mm       | 125       | »CM« type    | 12                    | M 10 x 1.25                       |
| K- 07 15 20 16 | 32 mm       | 150       | »CM« type    | 12                    | M 10 x 1.25                       |
| K- 07 15 20 17 | 40 mm       | 10        | »CM« type    | 16                    | M 12 x 1.25                       |
| K- 07 15 20 18 | 40 mm       | 15        | »CM« type    | 16                    | M 12 x 1.25                       |
| K- 07 15 20 19 | 40 mm       | 20        | »CM« type    | 16                    | M 12 x 1.25                       |
| K- 07 15 20 20 | 40 mm       | 25        | »CM« type    | 16                    | M 12 x 1.25                       |
| K- 07 15 20 21 | 40 mm       | 30        | »CM« type    | 16                    | M 12 x 1.25                       |
| K- 07 15 20 22 | 40 mm       | 40        | »CM« type    | 16                    | M 12 x 1.25                       |
| K- 07 15 20 23 | 40 mm       | 50        | »CM« type    | 16                    | M 12 x 1.25                       |
| K- 07 15 20 24 | 40 mm       | 60        | »CM« type    | 16                    | M 12 x 1.25                       |
| K- 07 15 20 25 | 40 mm       | 75        | »CM« type    | 16                    | M 12 x 1.25                       |
| K- 07 15 20 26 | 40 mm       | 80        | »CM« type    | 16                    | M 12 x 1.25                       |
| K- 07 15 20 27 | 40 mm       | 100       | »CM« type    | 16                    | M 12 x 1.25                       |
| K- 07 15 20 28 | 40 mm       | 125       | »CM« type    | 16                    | M 12 x 1.25                       |
| K- 07 15 20 29 | 40 mm       | 150       | »CM« type    | 16                    | M 12 x 1.25                       |

## Priedai

|                                |  |
|--------------------------------|--|
| K-FUSSBEFESTIGUNG TYP LB 1     | Foot model, »LB« type                  |
| K-FLANSCHBEFESTIGUNG TYP FA3   | Flange model, »FA« type                |
| K-SCHWENKLAGER TYP SDB         | Counter-hinge model, »SDB« type        |
| K-SCHWENKGABELBEFESTIG TC      | Hinge head model, »TC« type            |
| K-GABELKOEPE TYP Y 1           | Fork model, »Y« type                   |
| K-GELENKAUGEN TYP UNIT 1       | Rod eye model, »UNIT« type             |
| K-SENSOREN CS1 RD MIT STECKER  | Sensors »CS1« type, cable with M8 plug |
| K-SENSOREN CS1 RD OHNE STECKER | Sensors »CS1« type, cable without plug |