

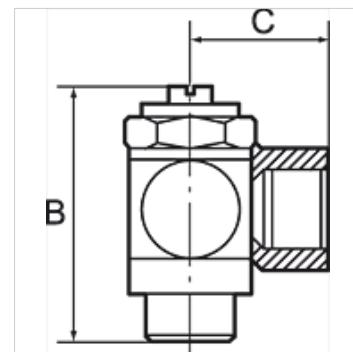
K-DRV ABLD GEW C SCHLITZ

Unidirectional flow control valves, outgoing air restriction (»C«), screw connection

HANSA FLEX

Savybės

| | |
|---|------------------------------------|
| Darbinis slėgis | maks. 10 bar |
| Temperatūros diapazonas | 0 °C to +70 °C |
| Tuščiaiduris varžtas, pasukamoji strėlė, regulavimo varžtas | Nickel-plated brass |
| Vidinės dalys | Brass with a bare metal surface |
| C formos sandarinimo žiedas | NBR |
| Tarpikliai (nepametami) | Polyamide (glass fibre-reinforced) |



Nuoroda

Daugiau duomenų pagal užklausimą.

Aprašas

For fine regulation of a cylinder piston speed and precise control of flow rates. Designed as a banjo-type valve with a hollow bolt and ring piece. Can be screwed directly onto the valve or cylinder. Compact type of construction, also ideal where space is restricted.

Prekė

| Pavadinimas | Jungtis | C (mm) | Sriegis | SW (rakto dydis) | B (mm) |
|----------------|---------------------|--------|---------|------------------|--------|
| K- 07 15 05 40 | M 5 female thread | 11,5 | M 5 | 8 mm | 24,5 |
| K- 07 15 05 45 | G 1/8 female thread | 16,0 | G 1/8 | 14 mm | 32,0 |
| K- 07 15 05 41 | G 1/4 female thread | 22,0 | G 1/4 | 17 mm | 40,0 |
| K- 07 15 25 24 | G 3/8 female thread | 26,0 | G 3/8 | 20 mm | 50,0 |
| K- 07 15 25 23 | G 1/2 female thread | 32,0 | G 1/2 | 26 mm | 61,0 |