

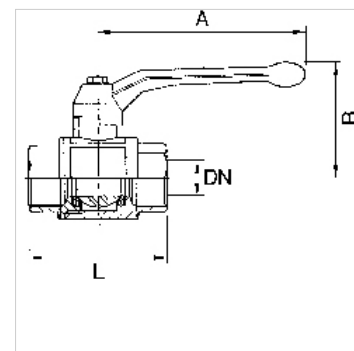
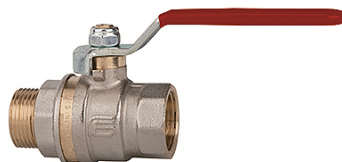
K-BKR ROT STAHLHEBEL IG AG

Ball valves with red steel lever, lightweight type, female/male thread

HANSA FLEX

Savybės

| | |
|-------------------------------|--|
| Taikymo sritis | Compressed air, water, non-toxic and non-corrosive gases, heating systems, agriculture |
| Darbinis slėgis | Max. 40 bar |
| Darbinė temperatūra | -15 °C to +90 °C |
| Sriegių aprašas | G thread acc. DIN EN ISO 228-1 |
| Korpusas | Nickel-plated brass |
| Svirtis | Steel, with plastic coating |
| Kūgis | Chrome-plated brass |
| Rutulio sandariklis | PTFE |
| Velenėlio sandarinimas | HNBR / EPDM / PTFE. 2 O-Rings (HNBR / EPDM) 1 gasket (PTFE) additional PTFE-gasket |



Nuoroda

Daugiau duomenų pagal užklausimą.

Prekė

| Pavadinimas | DN | Sriegis | A (mm) | B (mm) | L (mm) |
|----------------|----|---------|-----------|-----------|-----------|
| K- 07 30 00 50 | 8 | G 1/4 | 85,0 | 42,0 | 44,0 |
| K- 07 30 00 54 | 10 | G 3/8 | 85,0 | 42,0 | 51,0 |
| K- 07 30 00 58 | 15 | G 1/2 | 85,0 | 46,0 | 60,0 |
| K- 07 30 00 62 | 20 | G 3/4 | 105,0 | 53,0 | 70,0 |
| K- 07 30 00 66 | 25 | G 1 | 105,0 | 57,0 | 79,0 |
| K- 07 30 00 70 | 32 | G 1 1/4 | 130,0 | 70,0 | 91,0 |
| K- 07 30 00 74 | 40 | G 1 1/2 | 130,0 | 76,0 | 104,0 |
| K- 07 30 00 78 | 50 | G 2 | 165,0 | 92,0 | 122,0 |