

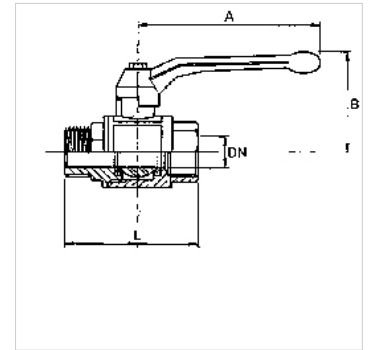
K-BKR LANG IG AG

Ball valves, long-threaded type, female/male thread

HANSA FLEX

Savybės

Taikymo sritis	Compressed air, water, non-toxic and non-corrosive gases, heating systems, agriculture
Darbinis slėgis	Max. 40 bar
Darbinė temperatūra	-15 °C to +90 °C
Sriegių aprašas	Thread acc. to ISO 7-1
Korpusas	Nickel-plated brass
Svirtis	Aluminium, painted black
Kūgis	Chrome-plated brass
Rutulio sandariklis	PTFE
Velenėlio sandarinimas	NBR / EPDM



Nuoroda

G thread acc. to DIN EN ISO 228-1, with ISO flange plate (acc. to ISO 5211)

Daugiau duomenų pagal užklausimą.

užsakymo nuorodos

For use on devices that have to be vented whenever they are turned off, either because of safety regulations or for technical reasons. The pneumatic devices are disconnected from the system and simultaneously vented each time they are shut off.

Papildoma informacija

The pressure values refer to a maximum operating temperature of 40 °C. Lower maximum pressure apply at higher temperatures. See data sheet.

Prekė

Pavadinimas	DN	Sriegis	A (mm)	B (mm)	L (mm)
K- 07 30 21 37	8	Rp/R 1/4	85,0	42,0	52,0
K- 07 30 21 38	10	Rp/R 3/8	85,0	42,0	54,0
K- 07 30 21 39	15	Rp/R 1/2	85,0	46,0	67,0
K- 07 30 21 40	20	Rp/R 3/4	105,0	53,0	78,0
K- 07 30 21 41	25	Rp/R 1	105,0	57,0	89,0
K- 07 30 21 42	32	Rp/R 1 1/4	130,0	70,0	103,0
K- 07 30 21 43	40	Rp/R 1 1/2	130,0	76,0	113,0
K- 07 30 21 44	50	Rp/R 2	165,0	92,0	136,0