

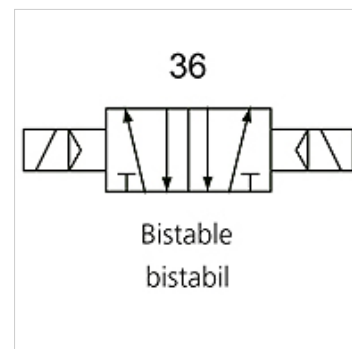
K-WV 5/2 BEIDS ELEKTRO

5/2-way spool valves, double solenoid

HANSA FLEX

Savybės

Funkcija	5/2-way
Darbinis slėgis	2.5 - 10 bar; Max. vacuum 10 bar (external pilot air)
min. darbinis slėgis	2,5 bar
Temperatūros diapazonas	-10 °C to +60 °C
6 bar ir 10 bar srautas	1500 NI/min (G 1/4), 4600 NI/min (G 1/2)
Elektros jungtis	Coupler plug PG 9 - form B
Apsaugos rūšis	IP 65 (DIN 46244)
Korpusas	Anodised aluminium, blue
Stūmoklio stūmiklis	Stainless steel
Sandarinio medžiaga	NBR



Nuoroda

Daugiau duomenų pagal užklausimą.

Aprašas

This valve design, featuring the Tapered Tee Seal®, offers the ability to run without lubrication and supports almost any compressed air quality. The valves are largely resistant to dirt and can thus also be used under extreme conditions without any problems. Leakage is now a thing of the past and the spool no longer sticks, even after long idle periods.

Prekė

Pavadinimas	Jungtis	[tampa	DN	Jungimo schemos numeris	Valdymas
K- 07 15 02 25	G 1/4	24 V DC	8	36	
K- 07 15 02 26	G 1/2"	24 V DC	15	36	
K- 07 15 02 27	G 1/4	230 V AC, 50 Hz	8	36	
K- 07 15 02 28	G 1/2"	230 V AC, 50 Hz	15	36	