

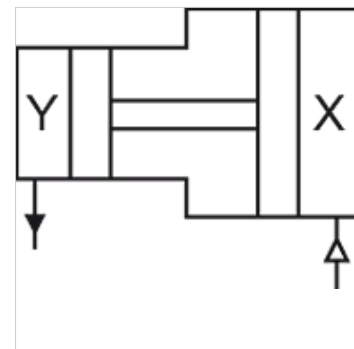
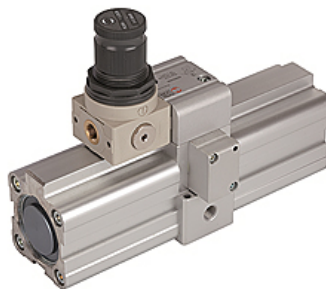
# K-DVST MIT REGLER

Pressure booster with regulator

**HANSA FLEX**

## Savybės

Iėjimo slėgis	2 - 10 bar
Išėjimo slėgis	Max. 20 bar (regulated: max. 16 bar)
Temperatūros diapazonas	-10 °C to +50 °C (40 mm bore), -10 °C to +60 °C (63 mm bore)
Medžiagos	Filtered, unlubricated or lubricated compressed air (if lubrication is used, it must be continuous)
Sandarinimo medžiaga	NBR
Slėgio reguliatorius	With plastic body
Korpusas	Aluminium, anodised
Vamzdis	Anodised aluminium jacket
Montavimas	Any position, with 4 mounting holes
P2:P1	1:1 to 1.6:1



## Nuoroda

For information about calculating the filling times for different tank sizes, refer to the above-mentioned data sheet available on our website  
Daugiau duomenų pagal užklausimą.

## Aprašas

Pressure multipliers (boosters) allow a separate compressed air store with up to double pressure to be installed for selected devices in a compressed air system without an external energy source, i.e. it is possible to work with a maximum pressure of 20 bar in a standard 10 bar system (maximum ratio 2:1). This is achieved using a double piston, which is operated by a combination of integrated check valves in such a way that the booster works automatically until the target pressure is reached in a compressed air tank and is then automatically switched off. A tank is always required to build up the pressure and store the compressed air!

## Papildoma informacija

Fixing bracket with nut

## Prekė

Pavadinimas	Jungtis	Stūmoklio Ø (mm)	H (mm)	L (mm)
K- 07 25 08 65	G 1/8	40,0	139,0	194,0
K- 07 25 08 67	G 3/8	63,0	183,0	290,0

## Priedai

K-ZUBEH ERSATZ LUFT BOOSTER Accessories / spare parts for Air-air-multiplier (booster)