

K-SCHL-AUFROLLER SCHWEISS

Hose reel, welding type

HANSA FLEX

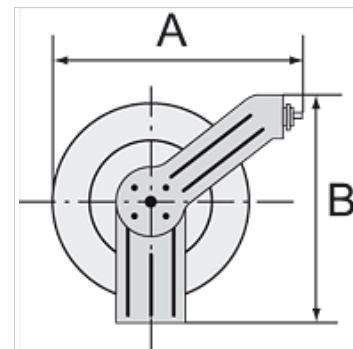
Savybės

Žarnos Welding hose for oxygen and acetylene, red and blue, made from synthetic rubber.

Darbinis slėgis maks. 10 bar

Tvirtinimas Wall, floor or ceiling

Įėjimas Oxygen G 1/4 male, right-hand thread with 60° inside cone, Acetylene G 3/8 male, left-hand thread with 60° inside cone



Nuoroda

Daugiau duomenų pagal užklausimą.

Aprašas

Heavy-duty steel design for industrial applications. Blue, powder-coated housing. Special reel guide prevents excessive wear on the hose. An automatic latching mechanism allows the hose to be engaged at any length. Enclosed spring. Precise locking device for continuous feeding or latching mechanism.

Prekė

Pavadinimas	Žarnos matmuo	Aukštis (mm)	Skersmuo (mm)	Žarnos ilgis (m)
K- 07 10 06 28	Oxygen: 16.5 mm x 6 mm, Acetylene: 17 mm x 10 mm	360	320	15