

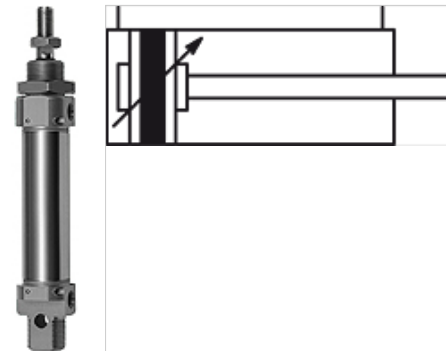
K-RUNDZYLINDER DOPP M D

Rundzylinder, doppelwirkend (mit Magnet, mit einstellbarer Dämpfung)

HANSA FLEX

Savybės

Medžiagos	Filtered, unlubricated or lubricated compressed air. If lubrication is used, it must be continuous.
Darbinis slėgis	Max. 10 bar
Atsako slėgis	0,8 bar (Ø 8 bis Ø 12), 0,6 bar (Ø 16 bis Ø 25)
Temperatūros diapazonas	-10 °C to +80 °C
Surinkimo	Flanged joint between stainless steel barrel and heads
Stūmoklio kotas	C45 steel, hard chrome-plated
Vamzdis	Stainless steel 1.4301
Stūmoklis	Synthetic (acetal) resin
Sandarinio medžiaga	NBR



Nuoroda

Maximum recommended stroke: Double-acting: Ø 8 - Ø 10 = 100 stroke, Ø 12 - Ø 16 = 200 stroke, Ø 20 - Ø 25 = 250 stroke

Single-acting: Ø 8 - Ø 25 = 50 stroke. Longer stroke lengths can cause operational malfunctions.

Daugiau duomenų pagal užklausimą.

Aprašas

Single and double-acting cylinders, with magnetic piston.

Papildoma informacija

Important: The scope of supply does not include a connector. Please order separately.

Prekė

Pavadinimas	Stūmoklio Ø	Eiga (mm)	Jungtis	Stūmoklio koto sriegiai
K- 07 15 24 89	16 mm	10	M 5	M 6
K- 07 15 24 90	16 mm	25	M 5	M 6
K- 07 15 24 91	16 mm	50	M 5	M 6
K- 07 15 24 92	16 mm	80	M 5	M 6
K- 07 15 24 93	16 mm	100	M 5	M 6
K- 07 15 24 94	16 mm	125	M 5	M 6
k- 07 15 24 95	16 mm	160	M 5	M 6
K- 07 15 24 96	16 mm	200	M 5	M 6
K- 07 15 24 97	20 mm	10	G 1/8	M 8
K- 07 15 24 98	20 mm	25	G 1/8	M 8
K- 07 15 24 99	20 mm	50	G 1/8	M 8
K- 07 15 25 00	20 mm	80	G 1/8	M 8
K- 07 15 25 01	20 mm	100	G 1/8	M 8
K- 07 15 25 02	20 mm	125	G 1/8	M 8
K- 07 15 25 03	20 mm	160	G 1/8	M 8
K- 07 15 25 04	20 mm	200	G 1/8	M 8
K- 07 15 25 05	20 mm	250	G 1/8	M 8
K- 07 15 25 06	25 mm	10	G 1/8	M 10 x 1.25
K- 07 15 25 07	25 mm	25	G 1/8	M 10 x 1.25
K- 07 15 24 88	25 mm	50	G 1/8	M 10 x 1.25
K- 07 15 25 08	25 mm	80	G 1/8	M 10 x 1.25
K- 07 15 25 09	25 mm	100	G 1/8	M 10 x 1.25
K- 07 15 25 10	25 mm	125	G 1/8	M 10 x 1.25
K- 07 15 25 11	25 mm	160	G 1/8	M 10 x 1.25
K- 07 15 25 12	25 mm	200	G 1/8	M 10 x 1.25
K- 07 15 25 13	25 mm	250	G 1/8	M 10 x 1.25