

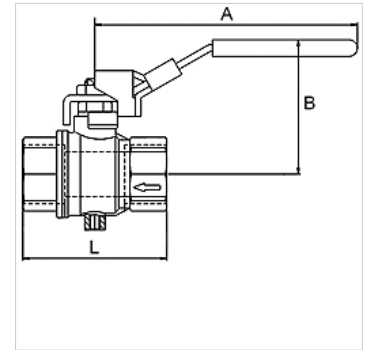
K-S-BKR M ENTL-BOHR ABSCHL

Safety ball valves, lockable, with relief port

HANSA FLEX

Savybės

Darbinė temperatūra	-10 °C to + 100 °C (depending on operating pressure)
Oro išleidimo anga	M 5 (>1": Relief port G 1/4")
Sriegių aprašas	Rp thread acc. to EN 10226
Korpusas	Nickel-plated brass
Rankinė svirtis	Steel - PVC coated
Kūgis	hardchrome-plated brass
Rutulio sandariklis	PTFE
Velenėlio sandarinimas	PTFE



Nuoroda

G thread acc. to DIN EN ISO 228-1, with ISO flange plate (acc. to ISO 5211)

Daugiau duomenų pagal užklausimą.

Aprašas

2/2-way safety ball valves, two parts, made of nickel-plated brass. Specially designed for pneumatic applications. The valve shuts off the supply line and bleeds the application area. Lockable hand lever in closed position.

Papildoma informacija

The price does not include a padlock. Please order separately.

Prekė

Pavadinimas	DN	Sriegis	PN (bar)	A (mm)	B (mm)	L (mm)
K- 07 30 29 29	8	Rp 1/4	14	96,0	49,0	45,0
K- 07 30 29 30	10	Rp 3/8	14	96,0	49,0	45,0
K- 07 30 29 31	15	Rp 1/2	14	96,0	51,0	59,0
K- 07 30 29 32	20	Rp 3/4	14	117,0	60,0	64,0
K- 07 30 29 33	25	Rp 1	14	117,0	64,0	81,0
K- 07 30 29 34	32	Rp 1 1/4	14	157,0	80,0	93,0
K- 07 30 29 35	40	Rp 1 1/2	14	157,0	86,0	102,0
K- 07 30 29 36	50	Rp 2	14	157,0	93,0	121,0

Priedai

K-VORHAENGESCHLOSS Padlock