

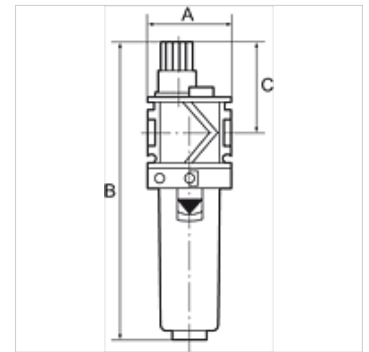
# K-NEBELOELER PC-BEHÄLTER S VARIOBL

Oil-mist lubricators with polycarbonate bowl and bowl guard

**HANSA FLEX**

## Savybės

<b>Įėjimo slėgis</b>	Max. 16 bar (polycarbonate bowl), Max. 20 bar (metal bowl)
<b>Medžiagos temperatūra</b>	max. 50 °C
<b>Aplinkos temperatūra</b>	Max. 50 °C (polycarbonate bowl), Max. 80 °C (metal bowl)
<b>Sandarinimo medžiaga</b>	NBR
<b>Korpusas</b>	Die-cast zinc
<b>Lašėjimo antgalis</b>	PA
<b>Alyvos rūšis</b>	CL 32 acc. to DIN 51517 - ISO VG 32
<b>Srauto reikšmės matavimas</b>	At P1 = 6 bar and pressure drop $\Delta p = 1$ bar



## Nuoroda

Daugiau duomenų pagal užklausimą.

## Aprašas

Proportional lubricators, oil can be filled under pressure. Approved series in modern industrial design, with the following key benefits: Simple handling, Convenient modular assembly thanks to innovative fasteners, Excellent flow values.

## užsakymo nuorodos

Oil-mist lubricators are also available with bowl guard or metal bowl.

## Prekė

Pavadinimas	Sriegis	Srautas (L/min)	A (mm)	B	C (mm)
K- 07 25 22 87	G 1	7500	124,0	224,0 mm	57,0
K- 07 25 22 88	G 3/4	7500	70,0	224,0 mm	57,0
K- 07 25 22 89	G 1/2	4600	70,0	224,0 mm	57,0
K- 07 25 22 90	G 3/8	4400	48,0	171,0 mm	52,0
K- 07 25 22 91	G 1/4	3400	48,0	171,0 mm	52,0