

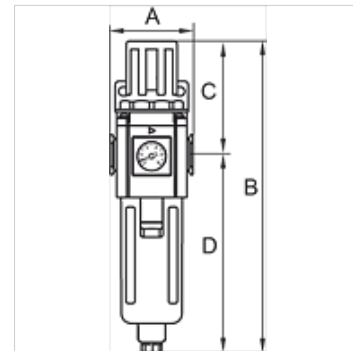
K-FI REGL METALLBEHAE H HW G

Filter regulators with metal bowl, sight glass and »HW« mounting bracket, semi-automatic drain valve

HANSA FLEX

Savybės

| | |
|-----------------------------|--|
| Iėjimo slėgis | Max. 10 bar |
| Medžiagos temperatūra | max. 70 °C |
| Aplinkos temperatūra | Max. 70 °C |
| Porų plotis filtro elemento | 5 µm |
| Sandarinimo medžiaga | NBR |
| Spyruoklės gaubtas | POM |
| Korpusas | Die-cast aluminium |
| Drain valve | Semi- or fully-automatic |
| Srauto reikšmės matavimas | At P1 = 8 bar, P2 = 6 bar and pressure drop $\Delta p = 1$ bar |
| Daugiau duomenų | User manual on request |



Prekė

| Pavadinimas | Sriegis | Reguliavimo diapazonas | Srautas (L/min) | A (mm) | B | C (mm) | D (mm) | Gaminio dydis |
|----------------|---------|------------------------|-----------------|--------|----------|--------|--------|---------------|
| K- 07 25 07 05 | G 3/4 | 1.5 - 9 bar | 7000 | 85,0 | 363,0 mm | 144,0 | 219,0 | 600 |
| K- 07 25 07 07 | G 1 | 1.5 - 9 bar | 7000 | 85,0 | 363,0 mm | 144,0 | 219,0 | 600 |

Priedai

| | |
|-------------------------------------|---|
| K-VERSCHLEI-SATZ | Set of wearing parts |
| K-ERSATZMEMBRANE | Replacement diaphragm |
| K-ADAPTERPLATTEN HANSA | Adapter plate HANSA |
| K-ERSATZBEHAELTER G UND G-MINI POLY | Spare tanks »G« Series and »G-mini« Series Polycarbonat |
| K-FILTERELEMENT | Filter element |
| K-HALTERBAUSATZ | Holder |
| K-VERBINDUNGSELEMENTE | Connecting sets |
| K-WANDHALTER | Wall bracket |