

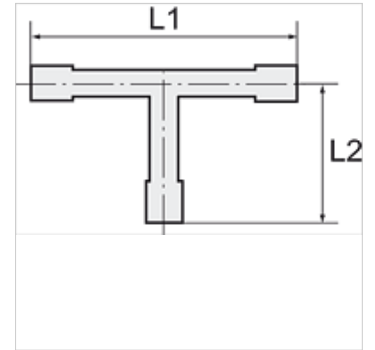
K-T-RED STUTZEN 3 POM

Reducing T push-on connectors, POM

HANSA FLEX

Savybės

Temperatūros diapazonas -40 °C to +90 °C



Nuoroda

Daugiau duomenų pagal užklausimą.

Aprašas

Lightweight tube connectors distinguished by high strength, toughness, resistance to abrasion and impact resistance. Resistant to: Acetone, benzene, benzene, butane, alcohols, diesel fuels, crude oil, natural gas, ethanol, fruit juices, glycerine, fuel oil, hydraulic fluids, aliphatic ketones, carbon dioxide, carbonic acid, engine oils, methanol, propane, liquefied gas, lubricating oils, lubricating greases, town gas, washing liquor and water.

Prekė

Pavadinimas	žarnai	L1 (mm)	L2 (mm)	maks. leistinas viršslėgis (bar)
K- 07 40 46 59	LW 3 mm / 4 mm / 3 mm	25,0	17,5	10
K- 07 40 46 60	LW 4 mm / 6 mm / 4 mm	37,0	24,0	10
K- 07 40 46 61	LW 6 mm / 4 mm / 6 mm	49,0	20,5	10
K- 07 40 46 62	LW 8 mm / 4 mm / 8 mm	56,0	22,0	10
K- 07 40 46 63	LW 8 mm / 6 mm / 8 mm	56,0	28,0	10
K- 07 40 46 64	LW 10 mm / 6 mm / 10 mm	62,0	28,0	10
K- 07 40 46 65	LW 10 mm / 8 mm / 10 mm	62,0	31,0	10
K- 07 40 46 66	LW 12 mm / 6 mm / 12 mm	69,0	29,0	10
K- 07 40 46 67	LW 12 mm / 8 mm / 12 mm	69,0	31,0	10
K- 07 40 46 68	LW 12 mm / 10 mm / 12 mm	69,0	33,0	10
K- 07 40 46 69	LW 18 mm / 10 mm / 18 mm	79,0	36,0	10
K- 07 40 46 70	LW 18 mm / 15 mm / 18 mm	80,0	44,0	10