

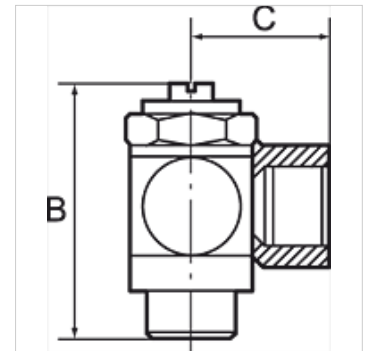
K-DRV GEW V SCHLITZ

Unidirectional flow control valves, incoming air restriction (»V«), screw connection

HANSA FLEX

Savybės

Darbinis slėgis	maks. 10 bar
Temperatūros diapazonas	0 °C to +70 °C
Tuščiaiduris varžtas, pasukamoji strėlė, regulavimo varžtas	Nickel-plated brass
Vidinės dalys	Brass with a bare metal surface
C formos sandarinimo žiedas	NBR
Tarpikliai (nepametami)	Polyamide (glass fibre-reinforced)



Nuoroda

Daugiau duomenų pagal užklausimą.

Aprašas

For fine regulation of a cylinder piston speed in the forward and return motion and precise control of flow rates. Designed as a banjo-type valve with a hollow bolt and ring piece. Can be screwed directly onto the valve or cylinder to restrict the incoming air. Compact type of construction, also ideal where space is restricted.

Prekė

Pavadinimas	Jungtis	C (mm)	Sriegis	SW (rakto dydis)	B (mm)
K- 07 15 25 21	M 5 female thread	11,5	M 5	8 mm	24,5
K- 07 15 05 70	G 1/8 female thread	16,0	G 1/8	14 mm	32,0
K- 07 15 05 66	G 1/4 female thread	22,0	G 1/4	17 mm	40,0
K- 07 15 25 22	G 3/8 female thread	26,0	G 3/8	20 mm	50,0