

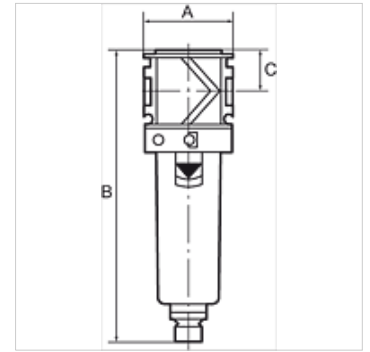
K-FI MIKRO PC-BEHÄL SCHU VARIOBLOC

Micro-filters with polycarbonate bowl and bowl guard

HANSA FLEX

Savybės

Įėjimo slėgis	Max. 16 bar (polycarbonate bowl), Max. 20 bar (metal bowl)
Medžiagos temperatūra	max. 50 °C
Aplinkos temperatūra	Max. 50 °C (polycarbonate bowl), Max. 80 °C (metal bowl)
Filtravimo blokas	0,01 µm
Oro kokybė pagal ISO 85731	Class 1 dirt, class 1 oil
Naudingumo koeficientas	99.999 %
Srauto reikšmės matavimas	At P1 = 7 bar and pressure drop $\Delta p = 0,1$ bar



Nuoroda

Daugiau duomenų pagal užklausimą.

Aprašas

Borosilicate filter for all applications where compliance with strict compressed air purity requirements is vital. As the second stage downstream of the standard filter, the micro-filter removes 99.999 % of even the finest remaining particles from water, oil and dirt with practically zero residues (filter rating: 0.01 µm).

užsakymo nuorodos

Micro-filters are also available with bowl guard or metal bowl.

Prekė

Pavadinimas	Sriegis	Srautas (L/min)	A (mm)	B	C (mm)
K- 07 25 22 96	G 1/4	370	48,0	155,0 mm	22,0
K- 07 25 22 95	G 3/8	420	48,0	155,0 mm	22,0
K- 07 25 22 94	G 1/2	1000	70,0	202,0 mm	26,0
K- 07 25 22 93	G 3/4	1100	70,0	202,0 mm	26,0
K- 07 25 22 92	G 1	1100	124,0	202,0 mm	26,0