

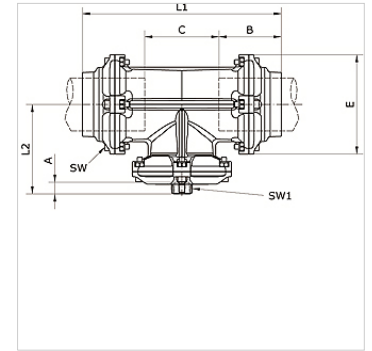
K-T-STECK VB 80-100 SCHANH RED INFI

T-push-in connector Ø 80 mm/Ø 110 mm with integrated gooseneck and reduced outlet with female thread

HANSA FLEX

Savybės

Medžiagos	Compressed air, vacuum, inert gases
Darbinis slėgis	-0,99 bar - 15 bar
Temperatūros diapazonas	-20 °C to +80 °C
Kreipiamasis žiedas	Technopolymer
Korpusas	Aluminium, treated surface
Varžtas su vidiniu šėšlabrauniumi	Galvanised steel
Suveržimo žiedas	Stainless steel 1.4301
Veržlė	Aluminium, surface treated
Sandarinimo žiedas	NBR
Užsifiksuojanti veržlė	Galvanised steel
Apsauginis žiedas	Technopolymer



Prekė

Pavadinimas	Vamzdžio išorinis Ø	Jungtis	A (mm)	B (mm)	C (mm)	E (mm)	L1 (mm)	L2 (mm)	SW (mm)	SW1 (mm)
K- 07 40 55 17	80 - 80 mm	G 3/4	14,5	91,0	109,0	145,0	291,5	138,0	6	42
K- 07 40 55 18	80 - 80 mm	G 1	17,0	91,0	109,0	145,0	291,5	138,0	6	49
K- 07 40 55 19	80 - 80 mm	G 1 1/2	20,0	91,0	109,0	145,0	291,5	138,0	6	66
K- 07 40 55 20	80 - 80 mm	G 2	22,0	91,0	109,0	145,0	291,5	138,0	6	80
K- 07 40 54 69	110 - 110 mm	G 3/4	14,5	125,5	150,5	200,0	401,0	180,0	8	42
K- 07 40 54 70	110 - 110 mm	G 1	17,0	125,5	150,5	200,0	401,0	180,0	8	49
K- 07 40 54 71	110 - 110 mm	G 1 1/2	20,0	125,5	150,5	200,0	401,0	180,0	8	66
K- 07 40 54 72	110 - 110 mm	G 2	22,0	125,5	150,5	200,0	401,0	180,0	8	80