

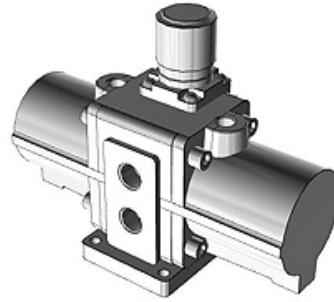
K-DRUCKVERST MANO H SCHALLD VBA

Booster Regulator, pressure gauge, high-noise reduction silencer, VBA

HANSA FLEX

Savybės

| | |
|--|---|
| Konstrukcija | with pressure gauge and with high performance muffler |
| min. eksploatacinis slėgis | 0.20 MPa |
| Pneumatinė manometro jungtis | Rc 1/8 |
| Pneumatinio manometro jungčių skaičius | 2 |
| maks. įėjimo slėgis | 0,1 to 1,0 MPa |
| Medžiagos temperatūra | +2 °C to +50 °C |
| Aplinkos temperatūra | +2 °C bis +50 °C |
| Medžiagos | suslėgtas oras |



Aprašas

Booster regulator, series VBA, increases pressure only where the force is inadequate because of a low network pressure (energy saving measure), no electricity supply necessary, longer service life: doubled compared to conventional model, lower operating noise level: 13 dB (A), improved operational reliability from inbuilt mesh filter on (IN connection) compressed air inlet, reduced condensation levels: air exhaust channels integrated directly into the cylinder tube, suitable for: compressed air, size 1/4, with pressure gauge and silencer, elbow, pneumatic connection: G 1/4, pneumatic connection pressure gauge: G 1/8, pneumatic connections pressure gauge: 2, flow rate 230 l/min, pressure boost 1:2, manually actuated pressure adjustment mechanism, test pressure: 3 MPa, max. operating pressure: 2 MPa, min. operating pressure: 0.2 MPa, media temperature: +2 to +50 °C, ambient temperature: +2 to +50 °C

Prekė

| Pavadinimas | Pneumatinė jungtis | Gaminio dydis | Slėgio reguliavimo mechanizmas | Slėgio stiprinimo santykis | Srautas (L/min) | maks. eksploatacinis slėgis (MPa) |
|----------------|--------------------|---------------|--------------------------------|----------------------------|--------------------|--------------------------------------|
| K- 07 60 00 11 | G 3/8 | 3/8 | manually operated | 1:2 | 1000 | 1,50 |