

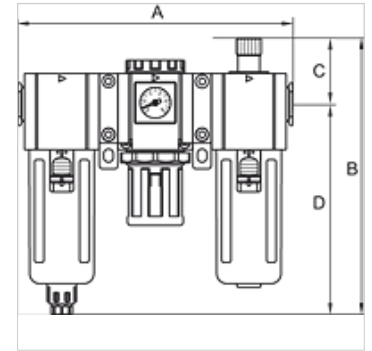
# K-WTEH 3-TLG PC-BEHÄLTER S W H G

Service units, 3-piece with polycarbonate bowl, bowl guard and joiner for wall mounting, semi-automatic drain valve

**HANSA FLEX**

## Savybės

Įėjimo slėgis	Max. 10 bar
Medžiagos temperatūra	max. 70 °C
Aplinkos temperatūra	Max. 70 °C
Porų plotis filtro elemento	5 µm
Sandarinimo medžiaga	NBR
Spyruoklės gaubtas	POM
Korpusas	Die-cast aluminium
Lašėjimo antgalis	Brass/POM
Drain valve	Semi- or fully-automatic
Srauto reikšmės matavimas	At P1 = 8 bar, P2 = 6 bar and pressure drop $\Delta p = 1$ bar
Daugiau duomenų	User manual on request



## Prekė

Pavadinimas	Sriegis	Reguliavimo diapazonas	Srautas (L/min)	A (mm)	B (mm)	C (mm)	D (mm)	Gaminio dydis
K- 07 25 14 21	G 1/4	1.5 - 9 bar	1100	179,0	187,0 mm	44,0	143,0	300
K- 07 25 14 23	G 3/8	1.5 - 9 bar	1400	179,0	187,0 mm	44,0	143,0	300
K- 07 25 14 25	G 1/2	1.5 - 9 bar	1400	179,0	187,0 mm	44,0	143,0	300
K- 07 25 14 27	G 3/8	1.5 - 9 bar	2950	236,0	214,5 mm	48,0	166,5	400
K- 07 25 14 29	G 1/2	1.5 - 9 bar	2950	236,0	214,5 mm	48,0	166,5	400

## Priedai

K-VERSCHLEI-SATZ	Set of wearing parts
K-ERSATZMEMBRANE	Replacement diaphragm
K-ADAPTERPLATTEN HANSA	Adapter plate HANSA
K-SCHUTZKORB G	Protective cage
K-FILTERELEMENT	Filter element
K-ERSATZBEHÄLTER G UND G-MINI POLY	Spare tanks »G« Series and »G-mini« Series Polycarbonat
K-VERBINDUNGSELEMENTE	Connecting sets
K-WANDHALTER	Wall bracket