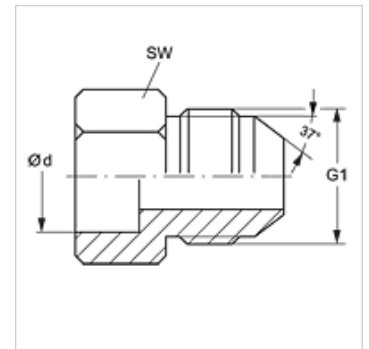


Īpašības

| | |
|---------------------|----------------------|
| Savienojums 1 | Lodēts savienojums |
| Savienojums 2 | UN/UNF ārējās vītnes |
| Blīvējuma veids 2 | 74° ārējais konuss |
| Modelis | Lodēta iemava |
| Konstrukcija | Taisna |
| Materiāls | Tērauds |
| Virsmas aizsardzība | iereibis |



Izstrādājums

| Apzīmējums | Ø d (mm) | G1 | L1 (mm) | SW (mm) |
|---------------|----------|----------------|---------|---------|
| LOET 04 HJ 06 | 6 | 7/16" -20 UNF | 26,0 | 17 |
| LOET 05 HJ 10 | 10 | 1/2" -20 UNF | 26,0 | 19 |
| LOET 06 HJ 10 | 10 | 9/16" -18 UNF | 27,5 | 21 |
| LOET 06 HJ 12 | 12 | 9/16" -18 UNF | 27,5 | 21 |
| LOET 08 HJ 12 | 12 | 3/4" -16 UNF | 29,0 | 26 |
| LOET 08 HJ 16 | 16 | 3/4" -16 UNF | 29,0 | 26 |
| LOET 08 HJ 18 | 18 | 3/4" -16 UNF | 29,0 | 26 |
| LOET 10 HJ 16 | 16 | 7/8" -14 UNF | 31,5 | 30 |
| LOET 10 HJ 18 | 18 | 7/8" -14 UNF | 31,5 | 30 |
| LOET 10 HJ 22 | 22 | 7/8" -14 UNF | 36,5 | 30 |
| LOET 12 HJ 18 | 18 | 1.1/16" -12 UN | 40,0 | 37 |
| LOET 12 HJ 20 | 20 | 1.1/16" -12 UN | 40,0 | 37 |
| LOET 12 HJ 25 | 25 | 1.1/16" -12 UN | 40,0 | 37 |
| LOET 16 HJ 25 | 25 | 1.5/16" -12 UN | 42,0 | 45 |
| LOET 16 HJ 27 | 27 | 1.5/16" -12 UN | 42,0 | 45 |
| LOET 16 HJ 32 | 32 | 1.5/16" -12 UN | 42,5 | 45 |
| LOET 20 HJ 32 | 32 | 1.5/8" -12 UN | 45,0 | 55 |
| LOET 20 HJ 38 | 38 | 1.5/8" -12 UN | 43,5 | 50 |
| LOET 24 HJ 38 | 38 | 1.7/8" -12 UN | 45,5 | 50 |
| LOET 50 HJ 32 | 32 | 2.1/2" -12 UN | - | - |

Ø d = caurules ārējais diametrs