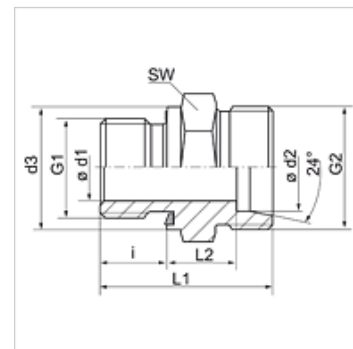


Īpašības

| | |
|------------------|--|
| Savienojums 1 | BSP ārējā vītne, cilindriska |
| Bīvējuma veids 1 | E veida |
| Savienojums 2 | metriskā ārējās vītnes, cilindriskās |
| Bīvējuma veids 2 | 24° iekšējais konuss |
| Modelis | leskrūvējams veidgabals |
| Konstrukcija | Taisna |
| Standarts | DIN 2353 ISO 8434-1 |
| Piegādes apjoms | lemava (bez uznavuzgriežņa un griešanas gredzena) |
| Materiāls | Centrējošais gredzens no alumīnija ar Viton gredzenblīvi |



Norāde

Norādes par montāžu, uzstādīšanu, spiediena noslodzi un pieļaujamo ekspluatācijas temperatūru norādītas cauruļu veidgabalu tehniskajā informācijā.

Pasūtījuma norādes

NBR plombas
FPM (Viton) pēc pieprasījuma

Izstrādājums

| Apzīmējums | Sērija | Ekspluatācijas spiediens bar | Ø d2 (mm) | G1 | G2 | Ø d3 (mm) | i (mm) | L1 (mm) | L2 (mm) | SW (mm) |
|--------------------------|--------|------------------------------|-----------|--------------|------------|-----------|--------|---------|---------|---------|
| XVR NW 04 HL ED VA | L | PN 315 | 6 | G 1/8" -28 | M 12 x 1,5 | 13,9 | 8 | 23,5 | 8,5 | 14 |
| XVR NW 04 HL 1/4 ED VA | L | PN 315 | 6 | G 1/4" -19 | M 12 x 1,5 | 18,9 | 12 | 29,0 | 10,0 | 19 |
| XVR NW 04 HL 3/8 ED VA | L | PN 315 | 6 | G 3/8" -19 | M 12 x 1,5 | 21,9 | 12 | 29,5 | 10,5 | 22 |
| XVR NW 04 HL 1/2 ED VA | L | PN 315 | 6 | G 1/2" -14 | M 12 x 1,5 | 26,9 | 14 | 32,0 | 11,0 | 27 |
| XVR NW 06 HL 1/8 ED VA | L | PN 315 | 8 | G 1/8" -28 | M 14 x 1,5 | 13,9 | 8 | 24,5 | 9,5 | 14 |
| XVR NW 06 HL ED VA | L | PN 315 | 8 | G 1/4" -19 | M 14 x 1,5 | 18,9 | 12 | 29,0 | 10,0 | 19 |
| XVR NW 06 HL 3/8 ED VA | L | PN 315 | 8 | G 3/8" -19 | M 14 x 1,5 | 21,9 | 12 | 30,5 | 11,5 | 22 |
| XVR NW 06 HL 1/2 ED VA | L | PN 315 | 8 | G 1/2" -14 | M 14 x 1,5 | 26,9 | 14 | 33,0 | 12,0 | 27 |
| XVR NW 08 HL 1/8 ED VA | L | PN 315 | 10 | G 1/8" -28 | M 16 x 1,5 | 13,9 | 8 | 25,5 | 10,5 | 17 |
| XVR NW 08 HL ED VA | L | PN 315 | 10 | G 1/4" -19 | M 16 x 1,5 | 18,9 | 12 | 30,0 | 11,0 | 19 |
| XVR NW 08 HL 3/8 ED VA | L | PN 315 | 10 | G 3/8" -19 | M 16 x 1,5 | 21,9 | 12 | 31,5 | 12,5 | 22 |
| XVR NW 08 HL 1/2 ED VA | L | PN 315 | 10 | G 1/2" -14 | M 16 x 1,5 | 26,9 | 14 | 34,0 | 13,0 | 27 |
| XVR NW 08 HL 3/4 ED VA | L | PN 315 | 10 | G 3/4" -14 | M 16 x 1,5 | 31,9 | 16 | 36,0 | 13,0 | 32 |
| XVR NW 10 HL 1/8 ED VA | L | PN 315 | 12 | G 1/8" -28 | M 18 x 1,5 | 13,9 | 8 | 26,5 | 11,5 | 19 |
| XVR NW 10 HL 1/4 ED VA | L | PN 315 | 12 | G 1/4" -19 | M 18 x 1,5 | 18,9 | 12 | 31,5 | 12,5 | 22 |
| XVR NW 10 HL ED VA | L | PN 315 | 12 | G 3/8" -19 | M 18 x 1,5 | 21,9 | 12 | 31,5 | 12,5 | 22 |
| XVR NW 10 HL 1/2 ED VA | L | PN 315 | 12 | G 1/2" -14 | M 18 x 1,5 | 26,9 | 14 | 34,0 | 13,0 | 27 |
| XVR NW 10 HL 3/4 ED VA | L | PN 160 | 12 | G 3/4" -14 | M 18 x 1,5 | 31,9 | 16 | 36,0 | 13,0 | 32 |
| XVR NW 13 HL 1/8 ED VA | L | PN 315 | 15 | G 1/8" -28 | M 22 x 1,5 | 13,9 | 8 | 28,5 | 13,5 | 24 |
| XVR NW 13 HL 1/4 ED VA | L | PN 315 | 15 | G 1/4" -19 | M 22 x 1,5 | 18,9 | 12 | 32,5 | 13,5 | 24 |
| XVR NW 13 HL 3/8 ED VA | L | PN 315 | 15 | G 3/8" -19 | M 22 x 1,5 | 21,9 | 12 | 33,0 | 14,0 | 27 |
| XVR NW 13 HL ED VA | L | PN 315 | 15 | G 1/2" -14 | M 22 x 1,5 | 26,9 | 14 | 35,0 | 14,0 | 27 |
| XVR NW 13 HL 3/4 ED VA | L | PN 160 | 15 | G 3/4" -14 | M 22 x 1,5 | 31,9 | 16 | 38,0 | 15,0 | 32 |
| XVR NW 16 HL 3/8 ED VA | L | PN 315 | 18 | G 3/8" -19 | M 26 x 1,5 | 21,9 | 12 | 33,5 | 14,0 | 27 |
| XVR NW 16 HL ED VA | L | PN 315 | 18 | G 1/2" -14 | M 26 x 1,5 | 26,9 | 14 | 36,0 | 14,5 | 27 |
| XVR NW 16 HL 3/4 ED VA | L | PN 160 | 18 | G 3/4" -14 | M 26 x 1,5 | 31,9 | 16 | 38,0 | 14,5 | 32 |
| XVR NW 16 HL 1 ED VA | L | PN 315 | 18 | G 1" -11 | M 26 x 1,5 | 39,9 | 18 | 43,0 | 17,5 | 41 |
| XVR NW 20 HL 3/8 ED VA | L | PN 160 | 22 | G 3/8" -19 | M 30 x 2 | 21,9 | 12 | 36,0 | 16,5 | 32 |
| XVR NW 20 HL 1/2 ED VA | L | PN 160 | 22 | G 1/2" -14 | M 30 x 2 | 26,9 | 14 | 38,0 | 16,5 | 32 |
| XVR NW 20 HL ED VA | L | PN 160 | 22 | G 3/4" -14 | M 30 x 2 | 31,9 | 16 | 40,0 | 16,5 | 32 |
| XVR NW 20 HL 1 ED VA | L | PN 160 | 22 | G 1" -11 | M 30 x 2 | 39,9 | 18 | 42,0 | 16,5 | 41 |
| XVR NW 25 HL 1/2 ED VA | L | PN 160 | 28 | G 1/2" -14 | M 36 x 2 | 26,9 | 14 | 39,0 | 17,5 | 41 |
| XVR NW 25 HL 3/4 ED VA | L | PN 160 | 28 | G 3/4" -14 | M 36 x 2 | 31,9 | 16 | 41,0 | 17,5 | 41 |
| XVR NW 25 HL ED VA | L | PN 160 | 28 | G 1" -11 | M 36 x 2 | 39,9 | 18 | 43,0 | 17,5 | 41 |
| XVR NW 25 HL 1 1/4 ED VA | L | - | 28 | G 1.1/4" -11 | M 36 x 2 | - | - | - | - | - |
| XVR NW 32 HL 1/2 ED VA | L | PN 160 | 35 | G 1/2" -14 | M 45 x 2 | 26,9 | 14 | 42,0 | 17,5 | 46 |
| XVR NW 32 HL 3/4 ED VA | L | PN 160 | 35 | G 3/4" -14 | M 45 x 2 | 31,9 | 16 | 48,5 | 22,0 | 46 |



Izstrādājums

| Apzīmējums | Sērija | Ekspluatācijas spiediens bar | Ø d2 (mm) | G1 | G2 | Ø d3 (mm) | i (mm) | L1 (mm) | L2 (mm) | SW (mm) |
|--------------------------|--------|------------------------------|-----------|--------------|------------|-----------|--------|---------|---------|---------|
| XVR NW 32 HL 1 ED VA | L | PN 160 | 35 | G 1" -11 | M 45 x 2 | 39,9 | 18 | 46,0 | 17,5 | 50 |
| XVR NW 32 HL ED VA | L | PN 160 | 35 | G 1.1/4" -11 | M 45 x 2 | 49,9 | 20 | 48,0 | 17,5 | 50 |
| XVR NW 40 HL 1 ED VA | L | PN 160 | 42 | G 1" -11 | M 52 x 2 | 39,9 | 18 | 48,0 | 19,0 | 55 |
| XVR NW 40 HL ED VA | L | PN 160 | 42 | G 1.1/2" -11 | M 52 x 2 | 54,9 | 22 | 52,0 | 19,0 | 55 |
| XVR NW 03 HS 1/8 ED VA | S | PN 630 | 6 | G 1/8" -28 | M 14 x 1,5 | 13,9 | 8 | 28,0 | 13,0 | 17 |
| XVR NW 03 HS ED VA | S | PN 630 | 6 | G 1/4" -19 | M 14 x 1,5 | 18,9 | 12 | 32,0 | 13,0 | 19 |
| XVR NW 03 HS 3/8 ED VA | S | PN 630 | 6 | G 3/8" -19 | M 14 x 1,5 | 21,9 | 12 | 34,5 | 15,5 | 22 |
| XVR NW 03 HS 1/2 ED VA | S | PN 630 | 6 | G 1/2" -14 | M 14 x 1,5 | 26,9 | 14 | 35,0 | 14,0 | 27 |
| XVR NW 03 HS 3/4 ED VA | S | PN 630 | 6 | G 3/4" -14 | M 14 x 1,5 | 31,9 | 16 | 38,0 | 15,0 | 32 |
| XVR NW 04 HS 1/8 ED VA | S | PN 630 | 8 | G 1/8" -28 | M 16 x 1,5 | 13,9 | 8 | 28,0 | 13,0 | 17 |
| XVR NW 04 HS ED VA | S | PN 630 | 8 | G 1/4" -19 | M 16 x 1,5 | 18,9 | 12 | 34,0 | 15,0 | 19 |
| XVR NW 04 HS 3/8 ED VA | S | PN 630 | 8 | G 3/8" -19 | M 16 x 1,5 | 21,9 | 12 | 34,5 | 15,5 | 22 |
| XVR NW 04 HS 1/2 ED VA | S | PN 630 | 8 | G 1/2" -14 | M 16 x 1,5 | 26,9 | 14 | 38,5 | 17,5 | 27 |
| XVR NW 06 HS 1/8 ED VA | S | PN 630 | 10 | G 1/8" -28 | M 18 x 1,5 | 13,9 | 8 | 29,5 | 14,0 | 22 |
| XVR NW 06 HS 1/4 ED VA | S | PN 630 | 10 | G 1/4" -19 | M 18 x 1,5 | 18,9 | 12 | 34,0 | 14,5 | 22 |
| XVR NW 06 HS ED VA | S | PN 630 | 10 | G 3/8" -19 | M 18 x 1,5 | 21,9 | 12 | 34,5 | 15,0 | 22 |
| XVR NW 06 HS 1/2 ED VA | S | PN 630 | 10 | G 1/2" -14 | M 18 x 1,5 | 26,9 | 14 | 39,0 | 17,5 | 27 |
| XVR NW 06 HS 3/4 ED VA | S | PN 630 | 10 | G 3/4" -14 | M 18 x 1,5 | 31,9 | 16 | 36,0 | 14,5 | 32 |
| XVR NW 08 HS 1/4 ED VA | S | PN 630 | 12 | G 1/4" -19 | M 20 x 1,5 | 18,9 | 12 | 36,0 | 16,5 | 22 |
| XVR NW 08 HS ED VA | S | PN 630 | 12 | G 3/8" -19 | M 20 x 1,5 | 21,9 | 12 | 36,5 | 17,0 | 22 |
| XVR NW 08 HS 1/2 ED VA | S | PN 630 | 12 | G 1/2" -14 | M 20 x 1,5 | 26,9 | 14 | 39,0 | 17,5 | 27 |
| XVR NW 08 HS 3/4 ED VA | S | PN 630 | 12 | G 3/4" -14 | M 20 x 1,5 | 31,9 | 16 | 36,0 | 20,5 | 32 |
| XVR NW 10 HS 1/4 ED VA | S | PN 630 | 14 | G 1/4" -19 | M 22 x 1,5 | 18,9 | 12 | 34,5 | 14,5 | 24 |
| XVR NW 10 HS 3/8 ED VA | S | PN 630 | 14 | G 3/8" -19 | M 22 x 1,5 | 21,9 | 12 | 38,5 | 18,5 | 27 |
| XVR NW 10 HS ED VA | S | PN 630 | 14 | G 1/2" -14 | M 22 x 1,5 | 26,9 | 14 | 41,0 | 19,0 | 27 |
| XVR NW 10 HS 3/4 ED VA | S | PN 630 | 14 | G 3/4" -14 | M 22 x 1,5 | 31,9 | 16 | 45,0 | 21,0 | 32 |
| XVR NW 10 HS 1 ED VA | S | PN 630 | 14 | G 1" -11 | M 22 x 1,5 | 39,9 | 18 | 45,5 | 19,5 | 41 |
| XVR NW 13 HS 1/4 ED VA | S | PN 400 | 16 | G 1/4" -19 | M 24 x 1,5 | 18,9 | 12 | 38,0 | 17,5 | 27 |
| XVR NW 13 HS 3/8 ED VA | S | PN 400 | 16 | G 3/8" -19 | M 24 x 1,5 | 21,9 | 12 | 38,5 | 18,0 | 27 |
| XVR NW 13 HS ED VA | S | PN 400 | 16 | G 1/2" -14 | M 24 x 1,5 | 26,9 | 14 | 41,0 | 18,5 | 27 |
| XVR NW 13 HS 3/4 ED VA | S | PN 400 | 16 | G 3/4" -14 | M 24 x 1,5 | 31,9 | 16 | 45,0 | 20,5 | 32 |
| XVR NW 13 HS 1 ED VA | S | PN 400 | 16 | G 1" -11 | M 24 x 1,5 | 39,5 | 18 | 45,5 | 19,0 | 41 |
| XVR NW 16 HS 3/8 ED VA | S | PN 400 | 20 | G 3/8" -19 | M 30 x 2 | 21,9 | 12 | 43,0 | 20,5 | 32 |
| XVR NW 16 HS 1/2 ED VA | S | PN 400 | 20 | G 1/2" -14 | M 30 x 2 | 26,9 | 14 | 45,0 | 20,5 | 32 |
| XVR NW 16 HS ED VA | S | PN 400 | 20 | G 3/4" -14 | M 30 x 2 | 31,9 | 16 | 47,0 | 20,5 | 32 |
| XVR NW 16 HS 1 ED VA | S | PN 400 | 20 | G 1" -11 | M 30 x 2 | 39,9 | 18 | 49,0 | 20,5 | 41 |
| XVR NW 16 HS 1 1/2 ED VA | S | - | 20 | G 1.1/2" -11 | M 30 x 2 | - | - | - | - | - |
| XVR NW 20 HS 1/2 ED VA | S | PN 400 | 25 | G 1/2" -14 | M 36 x 2 | 26,9 | 14 | 49,0 | 23,0 | 41 |
| XVR NW 20 HS 3/4 ED VA | S | PN 400 | 25 | G 3/4" -14 | M 36 x 2 | 31,9 | 16 | 51,0 | 23,0 | 41 |
| XVR NW 20 HS ED VA | S | PN 400 | 25 | G 1" -11 | M 36 x 2 | 39,9 | 18 | 53,0 | 23,0 | 41 |
| XVR NW 20 HS 1 1/2 ED VA | - | - | - | G 1.1/2" -11 | - | - | - | - | - | - |
| XVR NW 25 HS 3/4 ED VA | S | PN 400 | 30 | G 3/4" -14 | M 42 x 2 | 31,9 | 16 | 52,5 | 23,0 | 46 |
| XVR NW 25 HS 1 ED VA | S | PN 400 | 30 | G 1" -11 | M 42 x 2 | 39,9 | 18 | 55,0 | 23,5 | 50 |
| XVR NW 25 HS ED VA | S | PN 400 | 30 | G 1.1/4" -11 | M 42 x 2 | 49,9 | 20 | 57,0 | 23,5 | 50 |
| XVR NW 25 HS 1 1/2 ED VA | S | - | 30 | G 1.1/2" -11 | M 42 x 2 | - | - | - | - | - |
| XVR NW 32 HS 1 ED VA | S | PN 315 | 38 | G 1" -11 | M 52 x 2 | 39,9 | 18 | 60,0 | 26,0 | 55 |
| XVR NW 32 HS ED VA | S | PN 315 | 38 | G 1.1/2" -11 | M 52 x 2 | 54,9 | 22 | 64,0 | 26,0 | 55 |

Sērija: LL = ļoti vieglā L = vieglā S = smagā - PN = nominālais spiediens PB = maks. ekspluatācijas spiediens - Ø d2 = caurules ārējais diametrs

Izstrādājumu varianti

XVR ED leskrūvējams veidgabals, Tērauds

VR ED VA leskrūvējams veidgabals, Centrējošais gredzens no alumīnija ar Viton gredzenblīvi

Rezerves daļas

WD V Mīksts blīvējums JIC