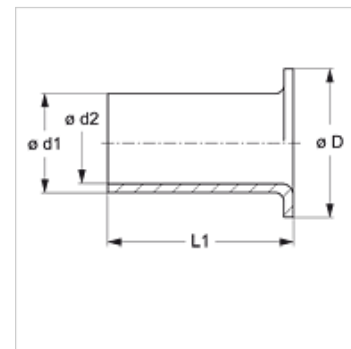


## Īpašības

Papildinājums modelim plastmasas caurulēm no PA 11/12

Modelis Pastiprinošās čaulas

Materiāls Misiņš



## Izstrādājums

| Apzīmējums    | D<br>(mm) | Ø d1<br>(mm) | Ø d2<br>(mm) | L1<br>(mm) |
|---------------|-----------|--------------|--------------|------------|
| TR 04-1 EH    | 3,5       | 2,0          | 1,3          | 8          |
| TR 06-1 EH    | 5,0       | 4,0          | 3,2          | 10         |
| TR 06-1.5 EH  | 5,0       | 3,0          | 2,2          | 10         |
| TR 08-1 EH    | 8,0       | 6,0          | 5,0          | 15         |
| TR 08-1.5 EH  | 8,0       | 5,0          | 4,0          | 15         |
| TR 10-1 EH    | 10,0      | 8,0          | 6,7          | 15         |
| TR 10-1.25 EH | 10,0      | 7,5          | 6,5          | 10         |
| TR 10-1.5 EH  | 10,0      | 7,0          | -            | -          |
| TR 12-1 EH    | 12,0      | 10,0         | 8,7          | 15         |
| TR 12-1.5 EH  | 12,0      | 9,0          | 7,7          | 15         |
| TR 12-2 EH    | 12,0      | 8,0          | 6,7          | 15         |
| TR 15-1.5 EH  | 14,0      | 12,0         | 10,7         | 15         |
| TR 15-2 EH    | 14,0      | 11,0         | 7,0          | 15         |
| TR 18-2 EH    | 17,8      | 14,0         | 12,7         | 18         |
| TR 20-2 EH    | 17,8      | 16,0         | 14,7         | 18         |
| TR 22-2 EH    | 21,8      | 18,0         | 16,7         | 20         |
| TR 25-2.5 EH  | 21,8      | 20,0         | 18,7         | 20         |