

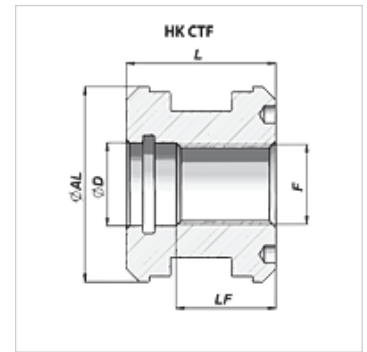
HK CTF

Vītņu virzulis hidrauliskajam cilindram

HANSA FLEX

Īpašības

Materiāls Tērauds 9SMn28



Norāde

Piemēroti blīvju komplekti var tikt piegādāti pēc pieprasījuma.

Izstrādājums

| Apzīmējums | Ø AL (mm) | Ø D (mm) | F | L (mm) | LF (mm) | Svars (kg) |
|------------------|--------------|-------------|----------|-----------|------------|---------------|
| HK CTF 25 101 25 | 25 | 11,1 | M 10x1,5 | 25 | 18 | 0,10 |
| HK CTF 040 16 15 | 40 | 17,1 | M 16x1,5 | 40 | 30 | 0,22 |
| HK CTF 050 20 15 | 50 | 21,1 | M 20x1,5 | 40 | 28 | 0,31 |
| HK CTF 060 24 20 | 60 | 25,1 | M 24x2 | 45 | 30 | 0,07 |
| HK CTF 063 24 20 | 63 | 25,1 | M 24x2 | 45 | 30 | 0,66 |
| HK CTF 070 24 20 | 70 | 25,1 | M 24x2 | 45 | 30 | 0,78 |
| HK CTF 080 27 20 | 80 | 28,1 | M 27x2 | 45 | 30 | 1,08 |
| HK CTF 090 33 20 | 90 | 35,1 | M 33x2 | 50 | 35 | 1,60 |
| HK CTF 100 33 20 | 100 | 35,1 | M 33x2 | 50 | 35 | 2,18 |
| HK CTF 110 39 30 | 110 | 42,0 | M 39x3 | 50 | 35 | 2,40 |
| HK CTF 120 42 30 | 120 | 45,0 | M 42x3 | 50 | 35 | 3,00 |
| HK CTF 125 42 30 | 125 | 45,0 | M 42x3 | 50 | 35 | 3,20 |
| HK CTF 140 48 30 | 140 | 51,0 | M 48x3 | 58 | 40 | 4,90 |
| HK CTF 150 48 30 | 150 | 51,0 | M 48x3 | 58 | 40 | 5,80 |
| HK CTF 160 52 30 | 160 | 54,0 | M 52x3 | 58 | 40 | 6,70 |

Material aluminium for HK CTF 25 101 25