

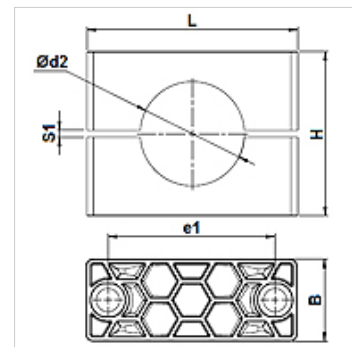
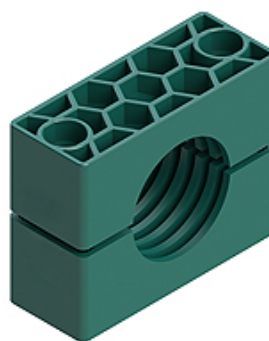
SRS 30-100 PP

Smagās sērijas cauruļu skavas

HANSA FLEX

Īpašības

| | |
|-----------------------|-------------------------|
| Modelis | Viencaurules skava |
| Papildinājums modelim | Skavas iekšpuse rievota |
| Sērija | Smags |
| Standarts | DIN 3015-2 |
| Temperatūra min. | -30 °C |
| Temperatūra max. | 90 °C |
| Materiāls | Polipropilēns |



Norāde

Šūteņu un kabeļu turēšanai ieteicams izmantot skavas ar gludu iekšējo virsmu. Montāža tiek veikta bez nopriegošanas līdz bloka augstums H samazinās par spraugas izmēru S1.

Apraksts

Rievas uz skavu iekšējās virsmas mazina triecienus un vibrācijas un absorbē spēkus, kas ir caurules ass virzienā. Sprauga starp daļām nodrošina caurules nopriegošanu.

Pasūtījuma norādes

1 detaļa = 2 skavas daļas

Izstrādājums

| Apzīmējums | Skavas izmērs | Caurules ārējais Ø d2 (mm) | Caurules ārējais Ø d2 | B (mm) | e1 (mm) | H (mm) | L (mm) | S1 (mm) |
|---------------|---------------|-------------------------------|-----------------------|-----------|------------|-----------|-----------|------------|
| SRS 3006 PP | 1 | 6,0 | - | 30 | 33 | 32 | 56 | 2 |
| SRS 3008 PP | 1 | 8,0 | 5/16" | 30 | 33 | 32 | 56 | 2 |
| SRS 3010 PP | 1 | 10,0 | - | 30 | 33 | 32 | 56 | 2 |
| SRS 3012 PP | 1 | 12,0 | - | 30 | 33 | 32 | 56 | 2 |
| SRS 3012.7 PP | 1 | 12,7 | 1/2" | 30 | 33 | 32 | 56 | 2 |
| SRS 3013.5 PP | 1 | 13,5 | - | 30 | 33 | 32 | 56 | 2 |
| SRS 3014 PP | 1 | 14,0 | - | 30 | 33 | 32 | 56 | 2 |
| SRS 3015 PP | 1 | 15,0 | - | 30 | 33 | 32 | 56 | 2 |
| SRS 3016 PP | 1 | 16,0 | 5/8" | 30 | 33 | 32 | 56 | 2 |
| SRS 3017.2 PP | 1 | 17,2 | - | 30 | 33 | 32 | 56 | 2 |
| SRS 3018 PP | 1 | 18,0 | - | 30 | 33 | 32 | 56 | 2 |
| SRS 4019 PP | 2 | 19,0 | 3/4" | 30 | 45 | 48 | 71 | 2 |
| SRS 4020 PP | 2 | 20,0 | - | 30 | 45 | 48 | 71 | 2 |
| SRS 4021.3 PP | 2 | 21,3 | - | 30 | 45 | 48 | 71 | 2 |
| SRS 4022 PP | 2 | 22,0 | - | 30 | 45 | 48 | 71 | 2 |
| SRS 4023 PP | 2 | 23,0 | - | 30 | 45 | 48 | 71 | 2 |
| SRS 4025 PP | 2 | 25,0 | 1" | 30 | 45 | 48 | 71 | 2 |
| SRS 4026.9 PP | 2 | 26,9 | - | 30 | 45 | 48 | 71 | 2 |
| SRS 4028 PP | 2 | 28,0 | - | 30 | 45 | 48 | 71 | 2 |
| SRS 4030 PP | 2 | 30,0 | - | 30 | 45 | 48 | 71 | 2 |
| SRS 5030 PP | 3 | 30,0 | - | 30 | 60 | 60 | 86 | 2 |
| SRS 5032 PP | 3 | 32,0 | 1.1/4" | 30 | 60 | 60 | 86 | 2 |
| SRS 5033.7 PP | 3 | 33,7 | - | 30 | 60 | 60 | 86 | 2 |
| SRS 5035 PP | 3 | 35,0 | - | 30 | 60 | 60 | 86 | 2 |
| SRS 5038 PP | 3 | 38,0 | 1.1/2" | 30 | 60 | 60 | 86 | 2 |
| SRS 5040 PP | 3 | 40,0 | - | 30 | 60 | 60 | 86 | 2 |
| SRS 5042 PP | 3 | 42,0 | - | 30 | 60 | 60 | 86 | 2 |
| SRS 6038 PP | 4 | 38,0 | 1.1/2" | 45 | 90 | 90 | 117 | 3 |
| SRS 6040 PP | 4 | 40,0 | - | 45 | 90 | 90 | 117 | 3 |
| SRS 6042 PP | 4 | 42,0 | - | 45 | 90 | 90 | 117 | 3 |
| SRS 6045 PP | 4 | 45,0 | - | 45 | 90 | 90 | 117 | 3 |
| SRS 6048.3 PP | 4 | 48,3 | - | 45 | 90 | 90 | 117 | 3 |
| SRS 6050 PP | 4 | 50,0 | - | 45 | 90 | 90 | 117 | 3 |
| SRS 6051 PP | 4 | 51,0 | 2" | 45 | 90 | 90 | 117 | 3 |
| SRS 6052 PP | 4 | 52,0 | - | 45 | 90 | 90 | 117 | 3 |
| SRS 6055 PP | 4 | 55,0 | - | 45 | 90 | 90 | 117 | 3 |



Neskatoties uz rūpīgu pārbaudi, mēs nevaram izslēgt kļūdas un negarantējam iekļautās informācijas pareizību.

11.02.2025

HANSA-FLEX AG

www.hansa-flex.com

1

SRS 30-100 PP

Smagās sērijas cauruļu skavas

HANSA FLEX

Izstrādājums

| Apzīmējums | Skavas izmērs | Caurules ārējais Ø d2 (mm) | Caurules ārējais Ø d2 | B (mm) | e1 (mm) | H (mm) | L (mm) | S1 (mm) |
|----------------|---------------|-------------------------------|-----------------------|-----------|------------|-----------|-----------|------------|
| SRS 6057 PP | 4 | 57,0 | 2.1/4" | 45 | 90 | 90 | 117 | 3 |
| SRS 6060.3 PP | 4 | 60,3 | - | 45 | 90 | 90 | 117 | 3 |
| SRS 6063 PP | 4 | 63,0 | 2.1/2" | 45 | 90 | 90 | 117 | 3 |
| SRS 6065 PP | 4 | 65,0 | - | 45 | 90 | 90 | 117 | 3 |
| SRS 6070 PP | 4 | 70,0 | - | 45 | 90 | 90 | 117 | 3 |
| SRS 7070 PP | 5 | 70,0 | - | 60 | 122 | 120 | 154 | 5 |
| SRS 7073 PP | 5 | 73,0 | - | 60 | 122 | 120 | 154 | 5 |
| SRS 7075 PP | 5 | 75,0 | - | 60 | 122 | 120 | 154 | 5 |
| SRS 7076.1 PP | 5 | 76,1 | 3" | 60 | 122 | 120 | 154 | 5 |
| SRS 7080 PP | 5 | 80,0 | - | 60 | 122 | 120 | 154 | 5 |
| SRS 7082.5 PP | 5 | 82,5 | 3.1/4" | 60 | 122 | 120 | 154 | 5 |
| SRS 7088.9 PP | 5 | 88,9 | 3.1/2" | 60 | 122 | 120 | 154 | 5 |
| SRS 7090 PP | 5 | 90,0 | - | 60 | 122 | 120 | 154 | 5 |
| SRS 8090 PP | 6 | 90,0 | - | 80 | 168 | 170 | 205 | 6 |
| SRS 8097 PP | 6 | 97,0 | - | 80 | 168 | 170 | 205 | 6 |
| SRS 8100 PP | 6 | 100,0 | - | 80 | 168 | 170 | 205 | 6 |
| SRS 8101.6 PP | 6 | 101,6 | 4" | 80 | 168 | 170 | 205 | 6 |
| SRS 8108 PP | 6 | 108,0 | 4.1/4" | 80 | 168 | 170 | 205 | 6 |
| SRS 8114.3 PP | 6 | 114,3 | 4.1/2" | 80 | 168 | 170 | 205 | 6 |
| SRS 8127 PP | 6 | 127,0 | 5" | 80 | 168 | 170 | 205 | 6 |
| SRS 9127 PP | 7 | 127,0 | 5" | 90 | 205 | 200 | 250 | 6 |
| SRS 9133 PP | 7 | 133,0 | 5.1/4" | 90 | 205 | 200 | 250 | 6 |
| SRS 9140 PP | 7 | 140,0 | 5.1/2" | 90 | 205 | 200 | 250 | 6 |
| SRS 9150 PP | 7 | 150,0 | - | 90 | 205 | 200 | 250 | 6 |
| SRS 9152.4 PP | 7 | 152,4 | 6" | 90 | 205 | 200 | 250 | 6 |
| SRS 9159 PP | 7 | 159,0 | 6.1/4" | 90 | 205 | 200 | 250 | 6 |
| SRS 9165.1 PP | 7 | 165,1 | 6.1/2" | 90 | 205 | 200 | 250 | 6 |
| SRS 9168.3 PP | 7 | 168,3 | 6.5/8" | 90 | 205 | 200 | 250 | 6 |
| SRS 10168.3 PP | 8 | 168,3 | 6.5/8" | 120 | 265 | 270 | 320 | 6 |
| SRS 10177.8 PP | 8 | 177,8 | 7" | 120 | 265 | 270 | 320 | 6 |
| SRS 10193.7 PP | 8 | 193,7 | 7.5/8" | 120 | 265 | 270 | 320 | 6 |
| SRS 10203 PP | 8 | 203,0 | - | 120 | 265 | 270 | 320 | 6 |
| SRS 10219.1 PP | 8 | 219,1 | 8.5/8" | 120 | 265 | 270 | 320 | 6 |
| SRS 10220 PP | 8 | 220,0 | - | 120 | 265 | 270 | 320 | 6 |

Izstrādājumu varianti

| | |
|-----------------|--|
| SRS 30-100 AL | Smagās sērijas cauruļu skavas, Skavas iekšpuse rievota |
| SRS 30-100 PA | Smagās sērijas cauruļu skavas, Skavas iekšpuse rievota |
| SRS 30-100 PP G | Smagās sērijas cauruļu skavas, Skavas iekšpuse gluda |
| SRS 30-100 VG | Smagās sērijas cauruļu skavas, Skavas iekšpuse rievota |

Ir papildelements šādiem izstrādājumiem

| | |
|-----|------------------------------------|
| C D | Dubultās grupas C komplektācija |
| C A | Montāžas grupas C komplektācija |
| C | Grupās C komplektācija |