

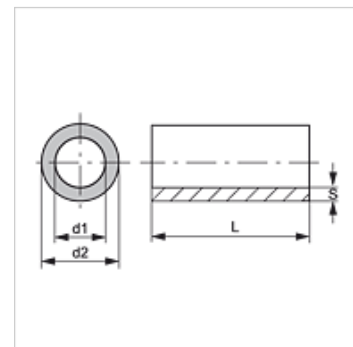
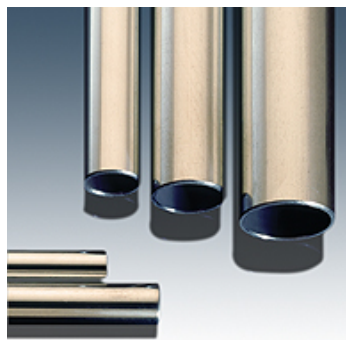
PR VZ (M)

Metriskā tērauda precīzijas caurule, EN 10305-4, E235+N

HANSA FLEX

Īpašības

| | |
|---------------------|--------------------------------------|
| Modelis | Tērauda precīzijas caurule, metriskā |
| Standarts | DIN EN 10305-4 |
| Materiāls | Tērauds ST 37.4 NBK (1.0255) |
| Virsmas aizsardzība | galvaniskais pārklājums |
| Caurules garums | 6 metri |



Norāde

Norādītās spiediena vērtības attiecas uz taisnu cauruli.

Liekta caurulei analogi DIN EN 13480-4 jāaprēķina atbilstošais sienīņu biezums.

Papildu informācija

Aprēķins ir analogs DIN 2413 (projekts)

slodzes veids I: statiskā (līdz 100 °C)

slodzes veids III: dinamiskā (līdz 200 °C) svārstību diapazons = P bar

Stiprības koeficients: K 235 [N/mm²]

Drošības koeficients: S 1,5

Pastāvīgā stiprības robeža: σ_{Sch}/D 225 [N/mm²]

Pielaižu: DIN 10305-4

Izstrādājums

| Apzīmējums | Ø d2 (mm) | AD pielaižu +/- (mm) | Ø d1 (mm) | ID pielaižu +/- (mm) | S (mm) | Slodzes veids I (bar) | Slodzes veids III (bar) |
|---------------|--------------|-------------------------|--------------|-------------------------|-----------|--------------------------|----------------------------|
| PR 04-1 VZ | 4,0 | 0,08 | 2,0 | 0,15 | 1,00 | 602 | 484 |
| PR 05-0.75 VZ | 5,0 | 0,08 | 2,5 | 0,15 | 0,75 | 325 | 282 |
| PR 05-1 VZ | 5,0 | 0,08 | 3,0 | 0,15 | 1,00 | 482 | 400 |
| PR 06-0.75 VZ | 6,0 | 0,08 | 4,5 | 0,15 | 0,75 | 286 | 251 |
| PR 06-1 VZ | 6,0 | 0,08 | 4,0 | 0,12 | 1,00 | 416 | 352 |
| PR 06-1.5 VZ | 6,0 | 0,08 | 3,0 | 0,15 | 1,50 | 663 | 524 |
| PR 06-2 VZ | 6,0 | 0,08 | 2,0 | 0,15 | 2,00 | 924 | 683 |
| PR 08-1 VZ | 8,0 | 0,08 | 6,0 | 0,10 | 1,00 | 320 | 278 |
| PR 08-1.5 VZ | 8,0 | 0,08 | 5,0 | 0,10 | 1,50 | 516 | 424 |
| PR 08-2 VZ | 8,0 | 0,08 | 4,0 | 0,15 | 2,00 | 693 | 543 |
| PR 10-1 VZ | 10,0 | 0,08 | 8,0 | 0,08 | 1,00 | 263 | 232 |
| PR 10-1.5 VZ | 10,0 | 0,08 | 7,0 | 0,12 | 1,50 | 407 | 345 |
| PR 10-2 VZ | 10,0 | 0,08 | 6,0 | 0,15 | 2,00 | 554 | 451 |
| PR 10-2.5 VZ | 10,0 | 0,08 | 5,0 | 0,15 | 2,50 | 711 | 555 |
| PR 12-1 VZ | 12,0 | 0,08 | 10,0 | 0,08 | 1,00 | 219 | 196 |
| PR 12-1.5 VZ | 12,0 | 0,08 | 9,0 | 0,10 | 1,50 | 344 | 297 |
| PR 12-2 VZ | 12,0 | 0,08 | 8,0 | 0,12 | 2,00 | 469 | 391 |
| PR 12-2.5 VZ | 12,0 | 0,08 | 7,0 | 0,15 | 2,50 | 592 | 477 |
| PR 14-1.5 VZ | 14,0 | 0,08 | 11,0 | 0,08 | 1,50 | 299 | 262 |
| PR 14-2 VZ | 14,0 | 0,08 | 10,0 | 0,10 | 2,00 | 407 | 345 |
| PR 14-2.5 VZ | 14,0 | 0,08 | 9,0 | 0,12 | 2,50 | 514 | 423 |
| PR 15-1 VZ | 15,0 | 0,08 | 13,0 | 0,08 | 1,00 | 175 | 159 |
| PR 15-1.5 VZ | 15,0 | 0,08 | 12,0 | 0,08 | 1,50 | 279 | 246 |
| PR 15-2 VZ | 15,0 | 0,08 | 11,0 | 0,10 | 2,00 | 380 | 324 |
| PR 15-2.5 VZ | 15,0 | 0,08 | 10,0 | 0,08 | 2,50 | 480 | 398 |
| PR 16-1 VZ | 16,0 | - | 14,0 | - | 1,00 | - | - |
| PR 16-1.5 VZ | 16,0 | 0,08 | 13,0 | 0,08 | 1,50 | 262 | 231 |
| PR 16-2 VZ | 16,0 | 0,08 | 12,0 | 0,15 | 2,00 | 346 | 298 |
| PR 16-2.5 VZ | 16,0 | 0,08 | 11,0 | 0,12 | 2,50 | 450 | 377 |
| PR 18-1 VZ | 18,0 | 0,08 | 16,0 | 0,08 | 1,00 | 146 | 133 |
| PR 18-1.5 VZ | 18,0 | 0,08 | 15,0 | 0,08 | 1,50 | 233 | 207 |
| PR 18-2 VZ | 18,0 | - | 14,0 | 0,08 | 2,00 | 320 | 278 |
| PR 18-2.5 VZ | 18,0 | 0,08 | 13,0 | 0,15 | 2,50 | 395 | 335 |
| PR 20-1.5 VZ | 20,0 | 0,08 | 17,0 | 0,08 | 1,50 | 209 | 188 |
| PR 20-2 VZ | 20,0 | 0,08 | 16,0 | 0,08 | 2,00 | 288 | 252 |



Neskatoties uz rūpīgu pārbaudi, mēs nevaram izslēgt kļūdas un negarantējam iekļautās informācijas pareizību.

14.01.2025

HANSA-FLEX AG

www.hansa-flex.com

1

PR VZ (M)

Metriskā tērauda precīzijas caurule, EN 10305-4, E235+N

HANSA FLEX

Izstrādājums

| Apzīmējums | Ø d2 (mm) | AD pielaides +/- (mm) | Ø d1 (mm) | ID pielaides +/- (mm) | S (mm) | Slodzes veids I (bar) | Slodzes veids III (bar) |
|--------------|--------------|--------------------------|--------------|--------------------------|-----------|--------------------------|----------------------------|
| PR 20-2.5 VZ | 20,0 | 0,08 | 15,0 | 0,15 | 2,50 | 355 | 305 |
| PR 20-3 VZ | 20,0 | 0,08 | 14,0 | 0,15 | 3,00 | 433 | 364 |
| PR 20-3.5 VZ | 20,0 | 0,08 | 13,0 | 0,15 | 3,50 | 512 | 421 |
| PR 22-1.5 VZ | 22,0 | 0,08 | 19,0 | 0,08 | 1,50 | 190 | 172 |
| PR 22-2 VZ | 22,0 | 0,08 | 18,0 | 0,08 | 2,00 | 262 | 231 |
| PR 22-2.5 VZ | 22,0 | 0,08 | 17,0 | 0,08 | 2,50 | 333 | 288 |
| PR 25-1.5 VZ | 25,0 | 0,08 | 22,0 | 0,08 | 1,50 | 167 | 152 |
| PR 25-2 VZ | 25,0 | 0,08 | 21,0 | 0,08 | 2,00 | 230 | 205 |
| PR 25-2.5 VZ | 25,0 | 0,08 | 20,0 | 0,08 | 2,50 | 293 | 256 |
| PR 25-3 VZ | 25,0 | 0,08 | 19,0 | 0,15 | 3,00 | 347 | 299 |
| PR 25-3.5 VZ | 25,0 | - | 18,0 | - | 3,50 | - | - |
| PR 25-4 VZ | 25,0 | 0,08 | 17,0 | 0,15 | 4,00 | 472 | 393 |
| PR 28-1.5 VZ | 28,0 | 0,08 | 25,0 | 0,08 | 1,50 | 149 | 136 |
| PR 28-2 VZ | 28,0 | 0,08 | 24,0 | 0,08 | 2,00 | 205 | 184 |
| PR 28-2.5 VZ | 28,0 | 0,08 | 23,0 | 0,08 | 2,50 | 261 | 231 |
| PR 28-3 VZ | 28,0 | 0,08 | 22,0 | 0,15 | 3,00 | 309 | 270 |
| PR 30-2.5 VZ | 30,0 | 0,08 | 25,0 | 0,08 | 2,50 | 244 | 217 |
| PR 30-3 VZ | 30,0 | 0,08 | 24,0 | 0,15 | 3,00 | 289 | 253 |
| PR 30-4 VZ | 30,0 | 0,08 | 22,0 | 0,15 | 4,00 | 393 | 334 |
| PR 30-5 VZ | 30,0 | 0,08 | 20,0 | 0,15 | 5,00 | 498 | 411 |
| PR 35-1.5 VZ | 35,0 | 0,08 | 32,0 | 0,08 | 1,50 | 119 | 110 |
| PR 35-2 VZ | 35,0 | 0,15 | 31,0 | 0,15 | 2,00 | 152 | 138 |
| PR 35-3 VZ | 35,0 | 0,15 | 29,0 | 0,15 | 3,00 | 241 | 214 |
| PR 35-4 VZ | 35,0 | 0,15 | 27,0 | 0,15 | 4,00 | 331 | 286 |
| PR 38-2 VZ | 38,0 | 0,15 | 34,0 | 0,15 | 2,00 | 140 | 128 |
| PR 38-2.5 VZ | 38,0 | 0,15 | 23,0 | 0,15 | 2,50 | 181 | 163 |
| PR 38-3 VZ | 38,0 | 0,15 | 32,0 | 0,15 | 3,00 | 222 | 198 |
| PR 38-4 VZ | 38,0 | 0,15 | 30,0 | 0,15 | 4,00 | 305 | 266 |
| PR 38-5 VZ | 38,0 | 0,15 | 28,0 | 0,15 | 5,00 | 387 | 330 |
| PR 38-6 VZ | 38,0 | 0,15 | 26,0 | 0,15 | 6,00 | 469 | 391 |
| PR 42-2 VZ | 42,0 | 0,20 | 38,0 | 0,20 | 2,00 | 119 | 109 |
| PR 42-3 VZ | 42,0 | 0,20 | 36,0 | 0,20 | 3,00 | 193 | 174 |