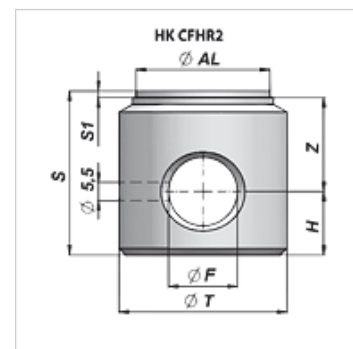


HK CFHR2

Cilindra pamatne

Īpašības

| | |
|--------------------|---------------------------------|
| Materiāls | Tērauds S355J0 (Fe510C) |
| Izmantošana | Suitable for cylinder HK HFR 2S |



Izstrādājums

| Apzīmējums | Ø AL (mm) | Ø F (mm) | Ø T (mm) | H (mm) | S (mm) | S1 (mm) | Z (mm) | Svars (kg) |
|----------------------|--------------|-------------|-------------|-----------|-----------|------------|-----------|---------------|
| HK CFHR2 0350 160 35 | 35 | 16,10 | 45 | 15 | 35 | 2 | 20 | 0,3 |
| HK CFHR2 0400 200 40 | 40 | 20,25 | 50 | 18 | 40 | 2 | 20 | 0,5 |
| HK CFHR2 0450 200 45 | 45 | 20,25 | 55 | 20 | 45 | 2 | 25 | 0,7 |
| HK CFHR2 0500 250 49 | 50 | 25,25 | 60 | 22 | 49 | 2 | 25 | 0,8 |
| HK CFHR2 0550 250 50 | 55 | 25,25 | 65 | 22 | 50 | 2 | 28 | 1,0 |
| HK CFHR2 0600 250 47 | 60 | 25,25 | 70 | 22 | 47 | 2 | 23 | 1,1 |
| HK CFHR2 0600 300 47 | 60 | 30,25 | 70 | 22 | 47 | 2 | 25 | 1,0 |
| HK CFHR2 0630 250 53 | 63 | 25,25 | 73 | 23 | 53 | 2 | 30 | 1,4 |
| HK CFHR2 0630 300 53 | 63 | 30,25 | 73 | 23 | 53 | 2 | 30 | 1,3 |
| HK CFHR2 0650 250 50 | 65 | 25,25 | 75 | 22 | 50 | 2 | 28 | 1,4 |
| HK CFHR2 0700 300 63 | 70 | 30,25 | 80 | 28 | 63 | 2 | 33 | 2,1 |
| HK CFHR2 0750 300 60 | 75 | 30,25 | 90 | 25 | 60 | 2 | 35 | 2,4 |
| HK CFHR2 0800 300 60 | 80 | 30,25 | 90 | 28 | 60 | 2 | 30 | 2,4 |
| HK CFHR2 0800 400 60 | 80 | 40,25 | 90 | 28 | 60 | 2 | 32 | 2,0 |
| HK CFHR2 0850 350 63 | 85 | 35,25 | 100 | 28 | 63 | 2 | 35 | 3,0 |
| HK CFHR2 0900 350 63 | 90 | 35,25 | 105 | 28 | 63 | 2 | 35 | 3,4 |
| HK CFHR2 0900 400 63 | 90 | 40,25 | 105 | 28 | 63 | 2 | 35 | 3,2 |
| HK CFHR2 1000 300 63 | 100 | 30,25 | 115 | 28 | 63 | 2 | 33 | 4,4 |
| HK CFHR2 1000 400 63 | 100 | 40,25 | 115 | 28 | 63 | 2 | 35 | 3,9 |
| HK CFHR2 1100 400 75 | 110 | 40,25 | 125 | 35 | 75 | 2 | 40 | 5,9 |
| HK CFHR2 1100 500 75 | 110 | 50,50 | 125 | 35 | 75 | 2 | 40 | 5,2 |
| HK CFHR2 1200 500 95 | 120 | 50,50 | 140 | 45 | 95 | 2 | 50 | 9,1 |
| HK CFHR2 1200 600 95 | 120 | 60,50 | 140 | 45 | 95 | 2 | 50 | 8,2 |
| HK CFHR2 1250 500 95 | 125 | 50,50 | 145 | 45 | 95 | 2 | 50 | 9,9 |
| HK CFHR2 1250 600 95 | 125 | 60,50 | 145 | 45 | 95 | 2 | 50 | 8,9 |
| HK CFHR2 1400 601 10 | 140 | 60,50 | 160 | 50 | 110 | 2 | 60 | 13,6 |
| HK CFHR2 1400 701 10 | 140 | 70,50 | 160 | 50 | 110 | 2 | 60 | 12,4 |
| HK CFHR2 1500 701 30 | 150 | 70,50 | 170 | 55 | 130 | 2 | 75 | 17,8 |
| HK CFHR2 1600 801 40 | 160 | 80,50 | 180 | 65 | 140 | 2 | 75 | 20,7 |