

FI HD E MP

Filtra elements augstspiediena filtram MP

HANSA FLEX

Īpašības

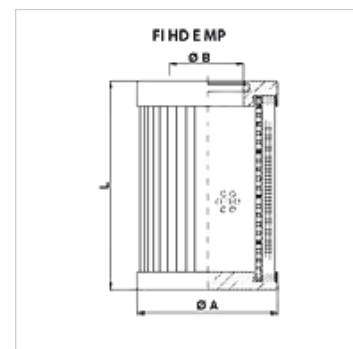
Īpašas pazīmes Δp max. 20 bar

Temperatūra min. -25 °C

Temperatūra max. 120 °C

Materiāls Bīvējums: NBR

Ekspluatācijas spiediens maks. 210 bar



Izstrādājums

| Apzīmējums | Filtra smalkums (µm) | Filtra laukums (cm ²) | Qmaks. (L/min) | Filter material | L (mm) | Ø A (mm) | Ø B (mm) | Svars (kg) |
|---------------------|----------------------|-----------------------------------|----------------|-----------------|--------|----------|----------|------------|
| FI HD E MP 0078 A10 | 10,0 | 300 | 80 | neorganisks | 76,5 | 52,0 | 24,0 | 0,21 |
| FI HD E MP 0086 A05 | 5,0 | 399 | 34 | neorganisks | 86,0 | 45,0 | 25,4 | 0,20 |
| FI HD E MP 0086 A10 | 10,0 | 399 | 60 | neorganisks | 86,0 | 45,0 | 25,4 | 0,20 |
| FI HD E MP 0114 A05 | 5,0 | 550 | 58 | neorganisks | 114,0 | 45,0 | 25,4 | 0,30 |
| FI HD E MP 0114 A10 | 10,0 | 550 | 95 | neorganisks | 114,0 | 45,0 | 25,4 | 0,30 |
| FI HD E MP 0210 A05 | 5,0 | 1069 | 100 | neorganisks | 210,0 | 45,0 | 25,4 | 0,42 |
| FI HD E MP 0210 A10 | 10,0 | 1069 | 100 | neorganisks | 210,0 | 45,0 | 25,4 | 0,42 |
| FI HD E MP 0234 A05 | 5,0 | 1672 | 200 | neorganisks | 234,0 | 51,0 | 27,1 | 0,60 |
| FI HD E MP 0234 A10 | 10,0 | 1672 | 200 | neorganisks | 234,0 | 51,0 | 27,1 | 0,60 |
| FI HD E MP 0236 A05 | 5,0 | 2943 | 350 | neorganisks | 236,0 | 78,0 | 40,2 | 1,30 |
| FI HD E MP 0236 A10 | 10,0 | 2943 | 350 | neorganisks | 236,0 | 78,0 | 40,2 | 1,30 |

Qmax – maks. plūsmas apjoms