

K-SAUGPLATTENAUFHAENGUNG

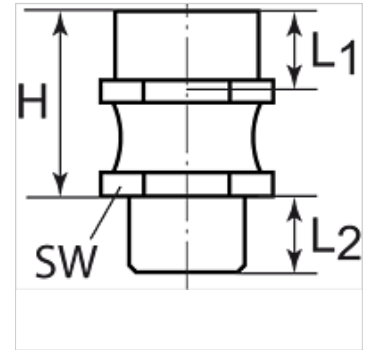
Flexible suction pad mountings

HANSA FLEX

Īpašības

Izmantošana For handling of workpieces with sloping using large-area vacuum gripper
Handling of large plates that can sag when lifting
In combination with spring plungers to compensate height-differences and Unevenness

Īpašas pazīmes very good adaptation to oblique workpiece surfaces
automatic Rückstellung in die Ausgangslage
vacuum-tight design with integrated protection against damage



Norāde

Citi dati pieejami pēc pieprasījuma.

Apraksts

Flexible suction pad mounting. By flexing in all directions, this mounting allows the suction pad to better adapt itself to sloping workpieces.

Izstrādājums

Apzīmējums	Vītne 1 iekšpusē	Vītne 2 ārpusē	H (mm)	Materiāls	L1 (mm)	L2 (mm)	Leņķis W (°)	Vertikālā noslodze (N/m ²)	Lieces moments (N/m ²)	SW (mm)
K- 07 45 01 47	G 1/4	M 10 x 1.25	27,0	Steel, rubber	10,5	8,0	12	500	8,0	17
K- 07 45 01 48	G 1/4	G 1/4	27,0	Steel, rubber	12,0	12,0	12	750	10,0	17