

K-HAND-SCHIEBEVENTIL

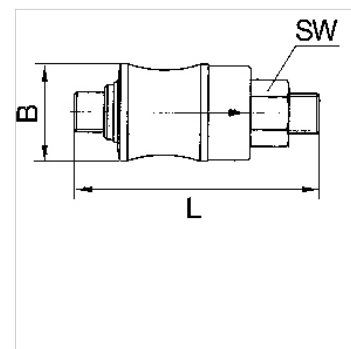
Manual slide valves

HANSA FLEX

Īpašības

Ekspluatācijas spiediens maks. 10 bar

Ekspluatācijas temperatūra max. +70 °C



Norāde

Citi dati pieejami pēc pieprasījuma.

Apraksts

For use on devices that have to be vented whenever they are turned off, either because of safety regulations or for technical reasons. The pneumatic devices are disconnected from the system and simultaneously vented each time they are shut off.

Izstrādājums

Apzīmējums	Vītnes	B (mm)	L (mm)	SW (mm)
K- 07 30 15 92	G 1/8	21,0	67,0	14
K- 07 30 15 93	G 1/4	24,0	77,0	17
K- 07 30 15 94	G 3/8	31,0	87,0	22
K- 07 30 15 95	G 1/2	35,0	104,0	26