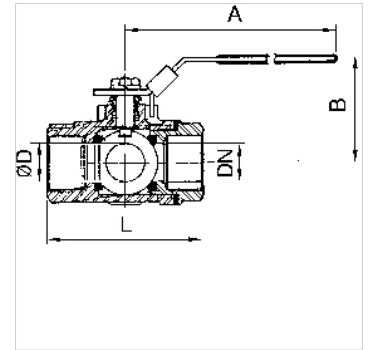


# K-3 BKR T VA

3-way ball valves, T-bore

## Īpašības

Ekspluatācijas spiediens	max. 63 bar
Ekspluatācijas temperatūra	max. 160 °C
Urbums	T-veida
Standartvērtības	Up to 40 °C: 63 bar, 150 °C: 28 bar
Blīvējums	RTFE
Svira	Stainless steel
Lodveida krāns	Stainless steel 1.4408



## Norāde

G thread acc. to DIN EN ISO 228-1, with ISO flange plate (acc. to ISO 5211)

Citi dati pieejami pēc pieprasījuma.

## Apraksts

With T-bore, reduced bore. Version for sealing on all sides with integrated ISO flange plate (ISO 5211). The lever can be turned 360° to allow several switching variants.

## Pasūtījuma norādes

For use on devices that have to be vented whenever they are turned off, either because of safety regulations or for technical reasons. The pneumatic devices are disconnected from the system and simultaneously vented each time they are shut off.

## Izstrādājums

Apzīmējums	DN	Vītnes	A (mm)	B (mm)	L (mm)	Ø D (mm)
K- 07 30 15 10	15	G 1/2	114,0	73,0	80,0	12,5
K- 07 30 15 11	20	G 3/4	133,0	78,0	87,0	16,0
K- 07 30 15 12	25	G 1	133,0	83,0	100,0	20,0
K- 07 30 15 13	32	G 1 1/4	187,0	92,0	123,0	25,0
K- 07 30 15 14	40	G 1 1/2	187,0	98,0	142,0	31,8
K- 07 30 15 15	50	G 2	187,0	126,0	170,0	38,1