

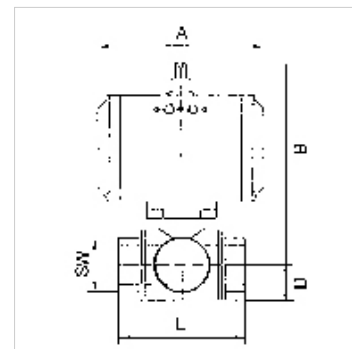
K-3 BKR L DOPPELWIRKEND

Stainless steel ball valves, 3-way, with double-acting actuator, L-bore

HANSA FLEX

Īpašības

| | |
|-----------------------------------|--------------------------------------------------------------------------------------------------------------------------------|
| Modelis | Pneumatic actuators, in double- or single acting version, with integrated end-position feedback |
| Urbums | L-veida |
| Ekspluatācijas spiediens | max. 63 bar (depending on temperature and nominal size) |
| Ekspluatācijas temperatūra | -20 °C to +70 °C |
| Griešanas leņķis | 90 ° |
| Normētas saskarnes | Interface actuator / valve: four or eight threaded holes in the drive housing according to EN ISO 5211, Interface actuator / S |
| Regulēšanas spiediens | 5.5 bar |
| Vārsta adapteris | Acc. to NAMUR |
| Piedziņa | aluminium eloxed |
| Piedziņas blīvējums | NBR |
| Lodveida krāns | Stainless steel 1.4401, with ISO-flange plate |
| Lodveida krāna blīvējums | PTFE/FKM |



Norāde

G thread acc. to DIN EN ISO 228-1, with ISO flange plate (acc. to ISO 5211)

Citi dati pieejami pēc pieprasījuma.

Apraksts

3-way cock, reduced bore

Papildu informācija

Other T-positions on request

Izstrādājums

| Apzīmējums | DN | Vītnes | Stāvoklis | A (mm) | B (mm) | D (mm) | L (mm) | SW (mm) |
|----------------|----|----------|-----------|--------|--------|--------|--------|---------|
| K- 07 30 02 93 | 15 | Rp 1/2 | L 1 | 116,0 | 130,0 | 20,0 | 73,0 | 27 |
| K- 07 30 02 94 | 20 | Rp 3/4 | L 1 | 116,0 | 136,0 | 23,0 | 80,0 | 32 |
| K- 07 30 02 95 | 25 | Rp 1 | L 1 | 133,0 | 148,5 | 28,5 | 90,0 | 41 |
| K- 07 30 02 96 | 32 | Rp 1 1/4 | L 1 | 133,0 | 153,5 | 36,5 | 90,0 | 50 |
| K- 07 30 02 97 | 40 | Rp 1 1/2 | L 1 | 137,0 | 173,0 | 37,0 | 105,0 | 55 |
| K- 07 30 02 98 | 50 | Rp 2 | L 1 | 161,0 | 196,5 | 47,5 | 115,0 | 71 |