

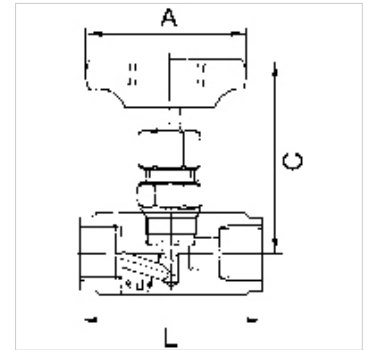
K-NADELVENTILE VA

Needle valves

HANSA FLEX

Īpašības

Ekspluatācijas spiediens	max. 400 bar (at 20 °C); max. 250 bar (at G 1 - 20 °C)
Ekspluatācijas temperatūra	-20 °C to +120 °C
Bīvēšanas materiāls	PTFE
Korpuss	Stainless steel 1.4571
Rokrats	Plastic
Materiāls	sealing: PTFE



Norāde

G thread acc. to DIN EN ISO 228-1, with ISO flange plate (acc. to ISO 5211)

Citi dati pieejami pēc pieprasījuma.

Pasūtījuma norādes

For use on devices that have to be vented whenever they are turned off, either because of safety regulations or for technical reasons. The pneumatic devices are disconnected from the system and simultaneously vented each time they are shut off.

Papildu informācija

Port sizes G 1 1/4, G 1 1/2 and G 2 available on request

Izstrādājums

Apzīmējums	DN	Vītnes	A (mm)	C (mm)	L (mm)
K- 07 30 24 03	4	G 1/8	50,0	74,0	50,0
K- 07 30 24 04	5	G 1/4	50,0	73,0	50,0
K- 07 30 24 05	6	G 3/8	50,0	72,0	55,0
K- 07 30 24 06	8	G 1/2	63,0	83,0	60,0
K- 07 30 24 07	10	G 3/4	63,0	100,0	75,0
K- 07 30 24 08	12	G 1	80,0	110,0	100,0