

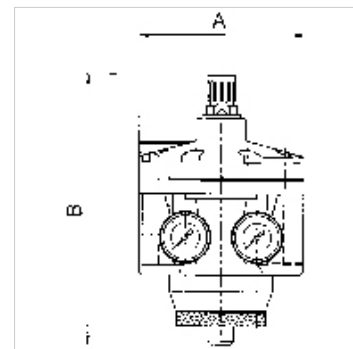
K-HOCHLEIST DRUCKREGLER

Heavy-duty pressure regulators

HANSA FLEX

Īpašības

ļeejas spiediens	Max. 25 bar
Vielas temperatūra	max. 60 °C
Vides temperatūra	Max. 60 °C
Caurplūde	50000 l/min
Blīvēšanas materiāls	NBR
Korpuss	Aluminium, painted silver
Caurplūdes vērtības mērījums	At P1 = 8 bar, P2 = 6 bar and pressure drop $\Delta p = 1$ bar



Norāde

Citi dati pieejami pēc pieprasījuma.

Apraksts

Diaphragm pressure regulators, independent of inlet pressure, with internal pilot control and self-relieving design for very high flow rates. Separate indication of input and working pressure on two pressure gauges. The pressure setting can be locked by pushing the knob down. We recommend always using these controllers in conjunction with our K-07250607 and K-07250609 filters.

Izstrādājums

Apzīmējums	Vītnes	Regulēšanas diapazons	A (mm)	B	DN
K- 07 25 08 03	G 1 1/2	0.1 - 3 bar	188,0	261,0 mm	50
K- 07 25 08 04	G 1 1/2	0.2 - 6 bar	188,0	261,0 mm	50
K- 07 25 08 05	G 1 1/2	0.5 - 10 bar	188,0	261,0 mm	50
K- 07 25 08 06	G 1 1/2	0.5 - 16 bar	188,0	261,0 mm	50
K- 07 25 08 07	G 2	0.1 - 3 bar	160,0	261,0 mm	50
K- 07 25 08 08	G 2	0.2 - 6 bar	160,0	261,0 mm	50
K- 07 25 08 09	G 2	0.5 - 10 bar	160,0	261,0 mm	50
K- 07 25 08 10	G 2	0.5 - 16 bar	160,0	261,0 mm	50

Rezerves daļas

K-VERSCHLEI-SATZ	Set of wearing parts
K-LOESBARE DOPPELNIPPEL MS	Double nipples