

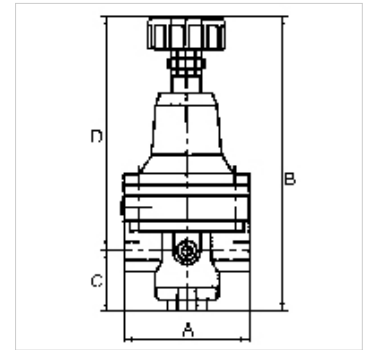
# K-PRAEZI DRUCKREGLER SELU

Precision pressure regulators

**HANSA FLEX**

## Īpašības

ļeejas spiediens	Max. 16 bar
Vielas temperatūra	max. 60 °C
Vides temperatūra	Max. 60 °C
Darba vides	Micro-filtered, uncoiled compressed air (0.01 µm)
Manometra pieslēgums	G 1/4
Atgaisošanas pieslēgums	G 3/8 (for mounting a silencer)
Bīvēšanas materiāls	NBR
Korpuss	Die-cast zinc
Iekšējā gaisa patēriņš	1.5 - 6 l/min, depending on input pressure and control range



## Norāde

The given flow rates are based on the following parameters: 1200 l/min: P1: 5 bar, P2: 3 bar,  $\Delta p \leq 0.1$  bar

1400 l/min: P1: 7 bar, P2: 5 bar,  $\Delta p \leq 0.1$  bar

1500 l/min: P1: 10 bar, P2: 7 bar,  $\Delta p \leq 0.1$  bar. Wear parts kit not supplied! Pressure regulator may only be opened in the factory!

Citi dati pieejami pēc pieprasījuma.

## Apraksts

With high flow rate and large secondary relief port. Diaphragm pressure regulators with large secondary relief port for applications requiring an extremely accurate working pressure, especially at high flow rates.

## Papildu informācija

on Art. K-07250721: Max. inlet pressure 300 bar. Other cylinder pressure regulators available on request.

1500 l/min: P1: 10 bar, P2: 7 bar,  $\Delta p \leq 0.1$  bar.

## Izstrādājums

Apzīmējums	Vītne	Regulēšanas diapazons	Caurplūde (L/min)	A (mm)	C (mm)	D (mm)
K- 07 25 09 28	G 1/4	0.05 - 3 bar	700	82,0	43,5	159,0
K- 07 25 09 29	G 1/4	0.05 - 7 bar	1500	82,0	43,5	159,0
K- 07 25 09 30	G 3/8	0.05 - 3 bar	3000	82,0	43,5	159,0
K- 07 25 09 31	G 3/8	0.05 - 7 bar	5500	82,0	43,5	159,0
K- 07 25 09 32	G 1/2	0.05 - 3 bar	3000	82,0	43,5	159,0
K- 07 25 09 33	G 1/2	0.05 - 5 bar	4500	82,0	43,5	159,0
K- 07 25 09 34	G 1/2	0.05 - 7 bar	5500	82,0	43,5	159,0

## Rezerves daļas

K-HALTERBAUSATZ STANDARD	Holder
K-KM MS	Hexagonal lock nuts, brass
K-SCHALLDAEPFER VYON	Vyon silencers
K-FILTERELEMENT	Filter element
K-XV AGM 2	Double nipples, parallel male thread