

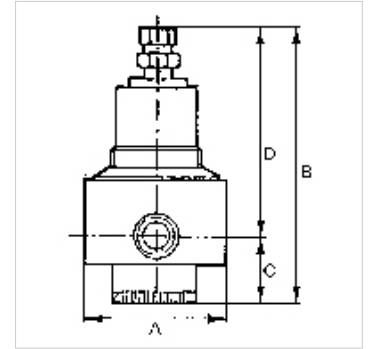
K-DRG RUECKSTERERBAR M MANO VA

Reversible, stainless steel pressure regulators with self-relieving design, stainless steel pressure gauge

HANSA FLEX

Īpašības

Ieejas spiediens	Max. 30 bar (Control range 0.5 - 8.0 bar), Max. 50 bar (Control range 1.0 - 15.0 bar)
Vielas temperatūra	max. 80 °C
Vides temperatūra	Max. 80 °C
Bīvēšanas materiāls	FKM
Membrāna	PTFE
Materiāls	stainless steel 1.4404 (AISI 316L)
Caurplūdes vērtības mērījums	At P1 = 8 bar, P2 = 6 bar and pressure drop $\Delta p \leq 1$ bar



Norāde

Citi dati pieejami pēc pieprasījuma.

Apraksts

Stainless steel regulators containing no non-ferrous metals for use in the food processing, chemical, mining, plant construction and special machinery industries as well as in the medical technology.

Pasūtījuma norādes

NPT thread available on request

Izstrādājums

Apzīmējums	Vītnes	Regulēšanas diapazons	Caurplūde (L/min)	A (mm)	B	C (mm)	D (mm)
K- 07 25 02 06	G 1/4	0.5 - 8.0 bar	200	65,0	162,0 mm	37,0	125,0
K- 07 25 02 07	G 1/4	1.0 - 15.0 bar	330	65,0	162,0 mm	37,0	125,0
K- 07 25 02 04	G 1/2	0.5 - 8.0 bar	660	80,0	164,0 mm	37,0	127,0
K- 07 25 02 05	G 1/2	1.0 - 15.0 bar	1800	80,0	164,0 mm	37,0	127,0

Rezerves daļas

K-HALTERBAUSATZ EDELSTAHL	Holder
K-MANO	Pressure gauges (CrNi steel type / connection on rear)
K-VERSCHLEI-SATZ	Set of wearing parts