

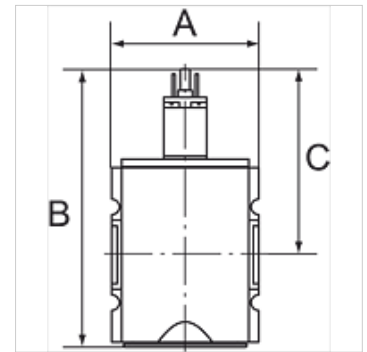
K-WV 3/2 ELK 230 VAC / 50HZ HANSA

3/2-way valves, electrically operated, with 230 VAC / 50 Hz solenoid

HANSA FLEX

Īpašības

ļeejas spiediens	2 - 10 bar
Temperatūras diapazons	-10 °C to +50 °C
Darba vides	Saspiests gaiss
Pievilkšanas jauda maiņspriegumam 50 Hz	2,2 VA
Ieslēgšanas ilgums	ED 100 %
Elektriskais pieslēgums	Connector type C, ISO 15217, 2 poles +PE
Turēšanas jauda maiņspriegumam 50 Hz	1,6 VA
Jaudas patēriņš DC	2,5 W
Aizsardzības veids	IP 65
Pieslēguma vītne	Material: Die-cast zinc
Korpuss	Material: Grivory® (PA 66)
Caurplūdes vērtības mērījums	At P2 = 6 bar, pressure drop $\Delta p = 1$ bar



Norāde

Citi dati pieejami pēc pieprasījuma.

Apraksts

Pneumatic systems or parts of systems can be switched on and off by means of an electrical signal. When they are switched off, the system is exhausted at the same time.

Pasūtījuma norādes

Valves are also available with coil 110 V AC, 50 Hz and in a pneumatically operated version. Please ask for more information.

Izstrādājums

Apzīmējums	Vītne	Izeja	Caurplūde (L/min)	A (mm)	B	C (mm)
K- 07 25 11 09	G 1/4	1/4	2000	52,0	117,8 mm	84,8
K- 07 25 11 10	G 3/8	1/4	2000	52,0	117,8 mm	84,8
K- 07 25 11 35	G 3/8	1/2	4500	63,0	150,3 mm	93,8
K- 07 25 11 36	G 1/2	1/2	4500	63,0	150,3 mm	93,8
K- 07 25 11 41	G 3/4	1/2	12500	85,0	177,7 mm	110,7
K- 07 25 11 42	G 1	1/2	12500	85,0	177,7 mm	110,7

Piederumi

K-SCHALLDAE SINTERBR S	Silencers, sintered bronze, slotted
K-SCHALLDAE SINTERBR GE MS1	Silencers, sintered bronze, with brass hexagon nut and brass thread

Rezerves daļas

K-HALTERBAUSATZ HANSA	Holder HANSA
K-VORSTEUERVENTIL HANSA	Replacement solenoid HANSA
K-GERAETESTECKER FORM C	Connector