

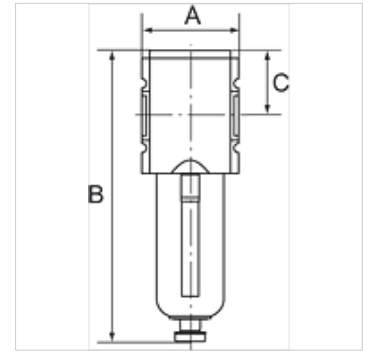
K-FI AK KOH PC-BEHAE SCHUTZK HANSA

Activated carbon filters

HANSA FLEX

Īpašības

ļeejas spiediens	0 - 16 bar
Temperatūras diapazons	-10 °C to +50 °C
Darba vides	Saspiests gaiss
Pieslēguma vītne	Material: Die-cast zinc
Tvertne	Polycarbonate (with bayonet lock)
Filtra elements	Activated carbon
Korpuss	Material: Grivory® (PA 66)
Aizsarggrozs	Polyamide
Atlikusī eļļa	0.005 mg/m ³ , class 0 acc. to DIN ISO 8573-1
Caurplūdes vērtības mērījums	At P2 = 6 bar and pressure drop $\Delta p = 0.5$ bar



Norāde

Citi dati pieejami pēc pieprasījuma.

Apraksts

Activated carbon filters in modern design for compliance with strict compressed air purity requirements. Activated carbon filters are used to absorb oil vapour up to a residual oil content of 0.005 mg/m³ from compressed air and gases.

Izstrādājums

Apzīmējums	Vītne	Caurplūde (L/min)	A (mm)	B	C (mm)
K- 07 25 10 41	G 1/4	500	52,0	157,0 mm	34,0
K- 07 25 10 42	G 3/8	500	52,0	157,0 mm	34,0
K- 07 25 10 43	G 3/8	1600	63,0	183,0 mm	42,5
K- 07 25 10 44	G 1/2	1600	63,0	183,0 mm	42,5
K- 07 25 10 23	G 3/4	3000	85,0	240,5 mm	58,0
K- 07 25 10 24	G 1	3000	85,0	240,5 mm	58,0

Rezerves daļas

K-HALTERBAUSATZ HANSA	Holder HANSA
K-ERSATZBEHAELTER HANSA POLY	Spare tank HANSA polycarbonat