

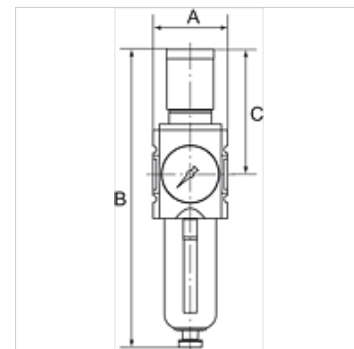
K-FI REGL PC-BEHÄEL S MANO HANSA

Filter regulators

HANSA FLEX

Īpašības

Ieejas spiediens	1.5 - 16 bar
Izejas spiediens	0.5 - 8 bar
Temperatūras diapazons	-10 °C to +50 °C
Darba vides	Saspiests gaiss
Filtra smalkums	5,00 µm
Pieslēguma vītne	Material: Die-cast zinc
Tvertne	Polycarbonate (with bayonet lock)
Filtra elements	Cellpor (PE)
Korpuss	Material: Grivory® (PA 66)
Membrāna	NBR
Iekšējā gaisa patēriņš	Max. 1.5 l/min (depending on secondary pressure)
Caurplūdes vērtības mērījums	At P1 = 10 bar, P2 = 6.3 bar and pressure drop $\Delta p = 1$ bar



Norāde

Citi dati pieejami pēc pieprasījuma.

Apraksts

Filter regulators with excellent flow rates in modern design. The regulator knob can be latched and locked.

Pasūtījuma norādes

The price does not include a key lock. Please order separately.

Izstrādājums

Apzīmējums	Vītne	Caurplūde (L/min)	A (mm)	B	C (mm)	Tipizmērs	Kondensāta notece
K- 07 25 06 57	G 1/4	2200	52,0	225,0 mm	95,5	-	Semi
K- 07 25 06 58	G 3/8	2600	52,0	225,0 mm	95,5	-	Semi
K- 07 25 06 59	G 3/8	4300	63,0	257,0 mm	110,0	-	Semi
K- 07 25 06 60	G 1/2	5200	63,0	257,0 mm	110,0	-	Semi
K- 07 25 06 53	G 3/4	14000	85,0	329,0 mm	137,0	-	Semi
K- 07 25 06 54	G 1	14000	85,0	329,0 mm	137,0	-	Semi
K- 07 25 06 61	G 1/4	2200	52,0	243,0 mm	95,5	-	Auto
K- 07 25 06 62	G 3/8	2600	52,0	243,0 mm	95,5	-	Auto
K- 07 25 06 63	G 3/8	4300	63,0	274,0 mm	110,0	-	Auto
K- 07 25 06 64	G 1/2	5200	63,0	274,0 mm	110,0	-	Auto
K- 07 25 06 55	G 3/4	14000	85,0	343,0 mm	137,0	4	Auto
K- 07 25 06 56	G 1	14000	85,0	343,0 mm	137,0	4	Auto

Piederumi

K-STECKSCHLOSS Key lock

Rezerves daļas

K-HALTERBAUSATZ HANSA	Holder HANSA
K-ERSATZBEHAELTER HANSA POLY	Spare tank HANSA polycarbonat
K-SCHALTAFELMUTTER HANSA	Nut HANSA
K-FILTERELEMENT	Filter element
K-DICHTSATZ HANSA	Set of seals HANSA