

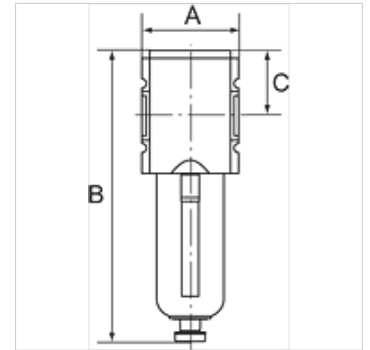
# K-MIKROFI FEINFILTER HANSA

Micro-filters (fine filters)

**HANSA FLEX**

## Īpašības

|                              |  |
|------------------------------|--|
| ļeejas spiediens             | 1.5 - 16 bar   |
| Temperatūras diapazons       | -10 °C to +50 °C                                     |
| Darba vides                  | Saspiests gaiss                                      |
| Filtra smaļkums              | 0,01 µm  |
| Pieslēguma vītne             | Material: Die-cast zinc                              |
| Tvertne                      | Polycarbonate (with bayonet lock)                    |
| Filtra elements              | Borosilicate glass fibre                             |
| Korpuss                      | Material: Grivory® (PA 66)                           |
| Aizsarggrozs                 | Polyamide  |
| Putekļu filtrēšana           | Class 1 acc. to DIN ISO 8753-1                       |
| Caurplūdes vērtības mērījums | At P2 = 6 bar and pressure drop $\Delta p = 0.5$ bar |



## Norāde

Citi dati pieejami pēc pieprasījuma.

## Apraksts

Micro-filters in modern design for compliance with strict compressed air purity requirements. Micro-filters are used to separate solid oil, water and solid impurities as small as 0.01 µm from compressed air and gases.

## Izstrādājums

| Apzīmējums     | Vītnes | Caurplūde (L/min) | A (mm) | B        | C (mm) | Kondensāta notece |
|----------------|--------|-------------------|--------|----------|--------|-------------------|
| K- 07 25 10 33 | G 1/4  | 350               | 52,0   | 169,5 mm | 39,5   | Semi              |
| K- 07 25 10 34 | G 3/8  | 350               | 52,0   | 169,5 mm | 39,5   | Semi              |
| K- 07 25 10 35 | G 3/8  | 450               | 63,0   | 195,0 mm | 47,8   | Semi              |
| K- 07 25 10 36 | G 1/2  | 450               | 63,0   | 195,0 mm | 47,8   | Semi              |
| K- 07 25 10 19 | G 3/4  | 1500              | 85,0   | 255,0 mm | 63,0   | Semi              |
| K- 07 25 10 20 | G 1    | 1500              | 85,0   | 255,0 mm | 63,0   | Semi              |
| K- 07 25 10 37 | G 1/4  | 350               | 52,0   | 186,5 mm | 39,5   | Auto              |
| K- 07 25 10 38 | G 3/8  | 350               | 52,0   | 186,5 mm | 39,5   | Auto              |
| K- 07 25 10 39 | G 3/8  | 450               | 63,0   | 210,5 mm | 47,8   | Auto              |
| K- 07 25 10 40 | G 1/2  | 450               | 63,0   | 210,5 mm | 47,8   | Auto              |
| K- 07 25 10 21 | G 3/4  | 1500              | 85,0   | 269,0 mm | 63,0   | Auto              |
| K- 07 25 10 22 | G 1    | 1500              | 85,0   | 269,0 mm | 63,0   | Auto              |

## Rezerves daļas

|                              |   |
|------------------------------|---|
| K-HALTERBAUSATZ HANSA        | Holder HANSA  |
| K-ERSATZBEHAELTER HANSA POLY | Spare tank HANSA polycarbonat                         |
| K-DIFFERENZDRUCKKANZEI MONO  | Differential pressure and differential pressure gauge |
| K-DIFFERENZDRUCKMANOMETER    | Differential pressure gauge                           |