

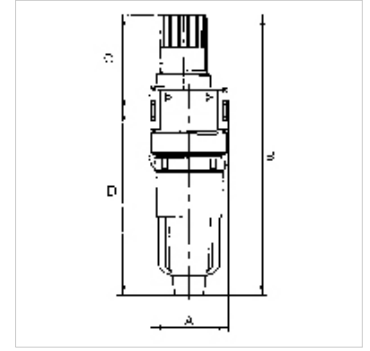
# K-NEBELOELER PC-BEHÄEL MULTIFIX MIN

Oil-mist lubricators with polycarbonate bowl

**HANSA FLEX**

## Īpašības

|                                     |  |
|-------------------------------------|--|
| <b>Ieejas spiediens</b>             | Max. 16 bar (polycarbonate bowl), Max. 20 bar (metal bowl) |
| <b>Vielas temperatūra</b>           | max. 60 °C   |
| <b>Vides temperatūra</b>            | Max. 60 °C   |
| <b>Caurplūde</b>                    | 1000 l/min   |
| <b>Blīvēšanas materiāls</b>         | NBR  |
| <b>Korpuss</b>                      | Die-cast zinc  |
| <b>Pilienu aizsargs</b>             | PA (polycarbonate bowl), Zinc-glass-NBR (metal bowl)       |
| <b>Eļļas veids</b>                  | CL 32 acc. to DIN 51517 - ISO VG 32                        |
| <b>Caurplūdes vērtības mērījums</b> | At P2 = 6 bar and pressure drop $\Delta p = 1$ bar         |



## Norāde

If several devices in the »multifix-mini« Series are assembled together, the maximum working pressure is 12 bar.  
Citi dati pieejami pēc pieprasījuma.

## Apraksts

Micro-lubricators, oil can be filled under pressure.

## Izstrādājums

| Apzīmējums     | Vītnes | A<br>(mm) | B        | C<br>(mm) | D<br>(mm) | DN | Tipizmers |
|----------------|--------|-----------|----------|-----------|-----------|----|-----------|
| K- 07 25 00 87 | G 1/8  | 40,0      | 145,1 mm | 49,6      | 95,5      | 5  | 0         |
| K- 07 25 00 89 | G 1/4  | 40,0      | 145,1 mm | 49,6      | 95,5      | 5  | 0         |

## Rēzerves daļas

|                                     |  |
|-------------------------------------|--|
| <b>K-AUTOMAT ABLASSVENTIL</b>       | Automatic drain valve                        |
| <b>K-KOPPELPAKET MEHR</b>           | Coupling packet                              |
| <b>K-ERSATZBEHÄELTER MULTI MINI</b> | Spare tank »multifix-mini« & »standard-mini« |
| <b>K-TROPFAUFSATZ POLYCARBO 1</b>   | Drip attachment polycarbonate                |
| <b>K-TROPFAUFSATZ METALL</b>        | Drip attachment metal                        |