

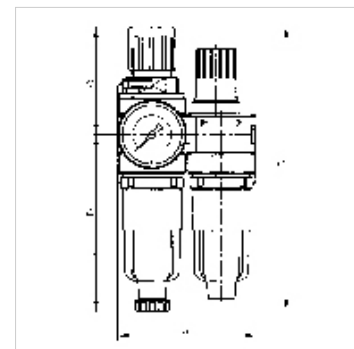
# K-WTEH 2-TLG PC MULTIFIX MINI

Service units, 2-piece with polycarbonate bowl

**HANSA FLEX**

## Īpašības

ļeejas spiediens	Max. 12 bar (also for metal tank!)
Vielas temperatūra	max. 60 °C
Vides temperatūra	Max. 60 °C
Poru attālums filtra elementā	5 µm
Blīvēšanas materiāls	NBR
Atsperes korpus	POM-brass
Korpuss	Die-cast zinc
Pilienu aizsargs	PA (polycarbonate bowl), Zinc-glass-NBR (metal bowl)
Drain valve	Semi-automatic
Caurplūdes vērtības mērījums	At P1 = 8 bar, P2 = 6 bar and pressure drop $\Delta p = 1$ bar



## Norāde

Citi dati pieejami pēc pieprasījuma.

## Apraksts

Two or three-piece service units consisting of a diaphragm pressure regulator, independent of inlet pressure, with self-relieving design, combined with a centrifugal separator and a proportional lubricator.

## Pasūtījuma norādes

Lockable service units available on request. If several devices in the »multifix-mini« Series are assembled together, the maximum working pressure is 12 bar.

## Izstrādājums

Apzīmējums	Vītne	Regulēšanas diapazons	Caurplūde (L/min)	A (mm)	B	C (mm)	D (mm)	DN	Tipizmērs
K- 07 25 01 25	G 1/8	0.5 - 10 bar	700	80,0	165,5 mm	63,0	102,5	5	0
K- 07 25 01 27	G 1/4	0.5 - 10 bar	700	80,0	165,5 mm	63,0	102,5	5	0

## Rezerves daļas

K-HALTERBAUSATZ	Holder
K-AUTOMAT ABLASSVENTIL	Automatic drain valve
K-SCHALTTAFELMUTTER	Nut
K-KOPPELPAKET MEHR	Coupling packet
K-PC-BEHAELTER FILTER MULTIFIX	Polycarbonate tank filter
K-ERSATZBEHAELTER MULTI MINI	Spare tank »multifix-mini« & »standard-mini«
K-FILTERELEMENT	Filter element
K-VERSCHLEI-SATZ	Set of wearing parts
K-TROPFAUFSATZ POLYCARBO 1	Drip attachment polycarbonate
K-TROPFAUFSATZ METALL	Drip attachment metal