

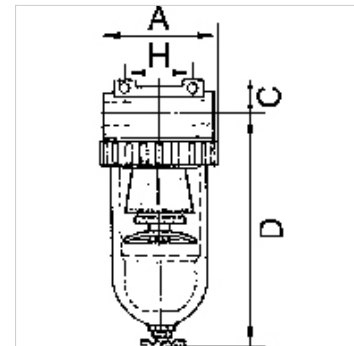
K-FI PC-BEHÄLTER S H ABLV STANDARD

Filters with polycarbonate bowl, bowl guard and semi-automatic drain valve

HANSA FLEX

Īpašības

| | |
|-------------------------------|---|
| Ļeļas spiediens | Max. 16 bar (polycarbonate bowl / bowl guard), Max. 25 bar (metal bowl) |
| Vielas temperatūra | max. 60 °C |
| Vides temperatūra | Max. 60 °C |
| Poru attālums filtra elementā | 5 µm (Size 1 / Size 3), 40 µm (Size 2 / Size 4), 60 µm (Size 5) |
| Korpuss | Die-cast zinc, painted silver |
| Caurplūdes vērtības mērījums | At P2 = 6 bar and pressure drop $\Delta p = 1$ bar |
| Papildu dati | User manual on request |



Norāde

G 2 1/2 and G 3 filters available on request

Apraksts

Centrifugal separators with a sintered filter element.

Izstrādājums

| Apzīmējums | Vītnes | Caurplūde (L/min) | A (mm) | C (mm) | D (mm) | DN | H (mm) |
|----------------|---------|-------------------|--------|--------|--------|----|--------|
| K- 07 25 05 87 | G 1/4 | 800 | 48,0 | 14,0 | 131,6 | 6 | 38,0 |
| K- 07 25 05 90 | G 3/8 | 800 | 48,0 | 14,0 | 131,6 | 6 | 38,0 |
| K- 07 25 05 93 | G 3/8 | 3100 | 70,0 | 16,0 | 145,7 | 10 | 50,0 |
| K- 07 25 05 96 | G 1/2 | 4000 | 79,0 | 18,0 | 168,4 | 15 | 50,0 |
| K- 07 25 05 99 | G 3/4 | 4000 | 102,0 | 26,5 | 169,9 | 20 | 50,0 |
| K- 07 25 06 02 | G 1 | 4000 | 90,0 | 26,5 | 169,9 | 25 | 50,0 |
| K- 07 25 06 05 | G 1 1/4 | 12500 | 125,0 | 36,5 | 243,4 | 40 | 105,0 |
| K- 07 25 06 08 | G 1 1/2 | 12500 | 125,0 | 36,5 | 243,4 | 45 | 105,0 |
| K- 07 25 06 10 | G 2 | 30000 | 148,0 | 41,0 | 394,4 | 55 | 120,0 |

Rezerves daļas

| | |
|----------------------------|---|
| K-HALTERBAUSATZ STANDARD | Holder |
| K-FILTERELEMENT | Filter element |
| K-SCHUTZKORB G | Protective cage |
| K-AUTOMAT ABLASSVENTIL | Automatic drain valve |
| K-XV AGM MS NI | Double nipples, parallel male thread, nickel-plated brass |
| K-LOESBARE DOPPELNIPPEL MS | Double nipples |
| K-ABLASSVENTIL AUTO | Fully-automatic drain valve with Adapter G 1/8 |