

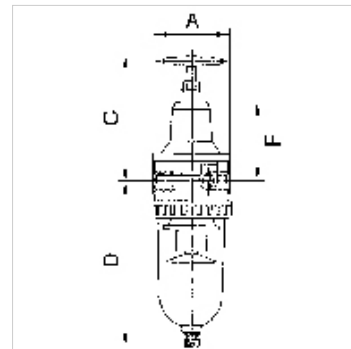
# K-FI REGL PC-BEHAEL H ABLV STANDARD

Filter regulators with polycarbonate bowl and semi-automatic drain valve

**HANSA FLEX**

## Īpašības

<b>Ieejas spiediens</b>	Max. 16 bar (polycarbonate bowl), Max. 25 bar (metal bowl)
<b>Regulēšanas diapazons</b>	0.5 to 10 bar (polycarbonate bowl), 0.5 to 16 bar (metal bowl)
<b>Vielas temperatūra</b>	max. 60 °C
<b>Vides temperatūra</b>	Max. 60 °C
<b>Poru attālums filtra elementā</b>	5 µm (Size 1 / Size 3), 40 µm (Size 2 / Size 4)
<b>Blīvēšanas materiāls</b>	NBR
<b>Korpuss</b>	Die-cast zinc (G1/4 to G1/2), silver painted\ naluminium (G3/4 to G1), silver painted
<b>Caurplūdes vērtības mērījums</b>	At P1 = 8 bar, P2 = 6 bar and pressure drop $\Delta p = 1$ bar



## Norāde

Citi dati pieejami pēc pieprasījuma.

## Apraksts

Reversible diaphragm pressure regulators, independent of inlet pressure, with selfrelieving design, combined with a centrifugal separator.

## Izstrādājums

Apzīmējums	Vītnes	Caurplūde (L/min)	A (mm)	C (mm)	D (mm)	DN	F (mm)
K- 07 25 06 67	G 1/4	900	54,0	106,5	129,7	8	62,0
K- 07 25 06 70	G 3/8	900	54,0	106,5	129,7	8	62,0
K- 07 25 06 73	G 3/8	1500	70,0	120,5	145,9	11	76,5
K- 07 25 06 76	G 1/2	3000	82,0	130,0	169,4	14	83,0
K- 07 25 06 79	G 3/4	7000	125,0	190,6	261,4	25	145,0
K- 07 25 06 82	G 1	7000	125,0	190,6	261,4	25	145,0

## Rezerves daļas

<b>K-HALTERBAUSATZ STANDARD</b>	Holder
<b>K-SCHUTZKORB G</b>	Protective cage
<b>K-FILTERELEMENT</b>	Filter element
<b>K-VERSCHLEI-SATZ</b>	Set of wearing parts
<b>K-XV AGM MS NI</b>	Double nipples, parallel male thread, nickel-plated brass
<b>K-LOESBARE DOPPELNIPPEL MS</b>	Double nipples
<b>K-ABLASSVENTIL AUTO</b>	Fully-automatic drain valve with Adapter G 1/8
<b>K-AUTOMAT ABLASSVENTIL</b>	Automatic drain valve