

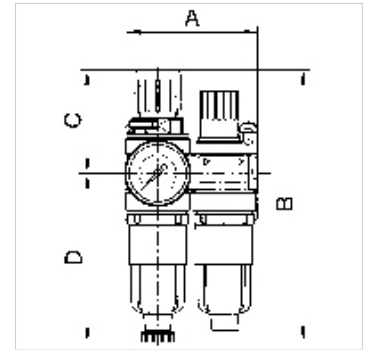
K-WTEH 3-TLG PC MONO STANDARD-MINI

Service units, 3-piece with polycarbonate bowl and pressure gauge

HANSA FLEX

Īpašības

Ieejas spiediens	Max. 16 bar (polycarbonate bowl), Max. 25 bar (metal bowl)
Vielas temperatūra	max. 60 °C
Vides temperatūra	Max. 60 °C
Caurplūde	350 l/min (2-piece), 300 l/min (3-piece)
Poru attālumš filtra elementā	5 µm
Bīvēšanas materiāls	NBR
Korpuss	Die-cast zinc, painted silver
Pilienu aizsargs	PA (polycarbonate bowl), Zinc-glass-NBR (metal bowl)
Drain valve	Semi-automatic for variant with polycarbonate bowl, Manual for variant with metal bowl
Caurplūdes vērtības mērijums	At P1 = 8 bar, P2 = 6 bar and pressure drop $\Delta p = 1$ bar



Norāde

Citi dati pieejami pēc pieprasījuma.

Apraksts

Compact, two or three-piece service units consisting of a reversible diaphragm pressure regulator, independent of inlet pressure, with self-relieving design, combined with a centrifugal separator and a proportional lubricator.

Izstrādājums

Apzīmējums	Vītnes	Regulēšanas diapazons	A (mm)	B	C (mm)	D (mm)	DN
K- 07 25 14 52	G 1/8	0.5 - 10 bar	130,0	151,5 mm	49,5	102,0	5
K- 07 25 14 54	G 1/4	0.5 - 10 bar	130,0	151,5 mm	49,5	102,0	5

Rezerves daļas

K-HALTERBAUSATZ	Holder
K-SCHALTAFELMUTTER	Nut
K-ERSATZBEHAELTER MULTI MINI	Spare tank »multifix-mini« & »standard-mini«
K-PC-BEHAELTER FILTER MULTIFIX	Polycarbonate tank filter
K-VERSCHLEI-SATZ	Set of wearing parts
K-FILTERELEMENT	Filter element
K-AUTOMAT ABLASSVENTIL	Automatic drain valve
K-TROPFAUFSATZ POLYCARBO	Drip attachment polycarbonate
K-TROPFAUFSATZ METALL	Drip attachment metal
K-LOESBARE DOPPELNIPPEL MS	Double nipples
K-XV AGM MS NI	Double nipples, parallel male thread, nickel-plated brass