

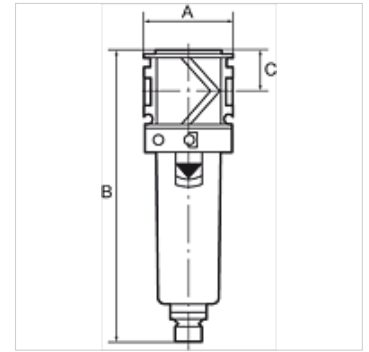
K-FI MIKRO METALLBEH SICHT VARIOBLO

Micro-filters with metal bowl, incl. sight glass

HANSA FLEX

Īpašības

Ieejas spiediens	Max. 16 bar (polycarbonate bowl), Max. 20 bar (metal bowl)
Vielas temperatūra	max. 50 °C
Vides temperatūra	Max. 50 °C (polycarbonate bowl), Max. 80 °C (metal bowl)
Filtra smalkums	0,01 µm
Gaisa kvalitāte ISO 85731	Class 1 dirt, class 1 oil
Iedarbības pakāpe	99.999 %
Caurplūdes vērtības mērījums	At P1 = 7 bar and pressure drop $\Delta p = 0,1$ bar



Norāde

Citi dati pieejami pēc pieprasījuma.

Apraksts

Borosilicate filter for all applications where compliance with strict compressed air purity requirements is vital. As the second stage downstream of the standard filter, the micro-filter removes 99.999 % of even the finest remaining particles from water, oil and dirt with practically zero residues (filter rating: 0.01 µm).

Pasūtījuma norādes

Micro-filters are also available with bowl guard or metal bowl.

Izstrādājums

Apzīmējums	Vītnes	Caurplūde (L/min)	A (mm)	B	C (mm)
K- 07 25 10 90	G 1/4	370	48,0	155,0 mm	22,0
K- 07 25 10 92	G 3/8	420	48,0	155,0 mm	22,0
K- 07 25 10 94	G 1/2	1000	70,0	202,0 mm	26,0
K- 07 25 10 96	G 3/4	1100	70,0	202,0 mm	26,0
K- 07 25 10 98	G 1	1100	124,0	202,0 mm	26,0

Rezerves daļas

K-ERSATZBEHALTER VARIOBLOC POLY	Spare tank Polycarbonat
K-FILTERELEMENT VARIOBLOC	Filter element
K-ABLASSVENTIL AUTO	Fully-automatic drain valve with Adapter G 1/8